

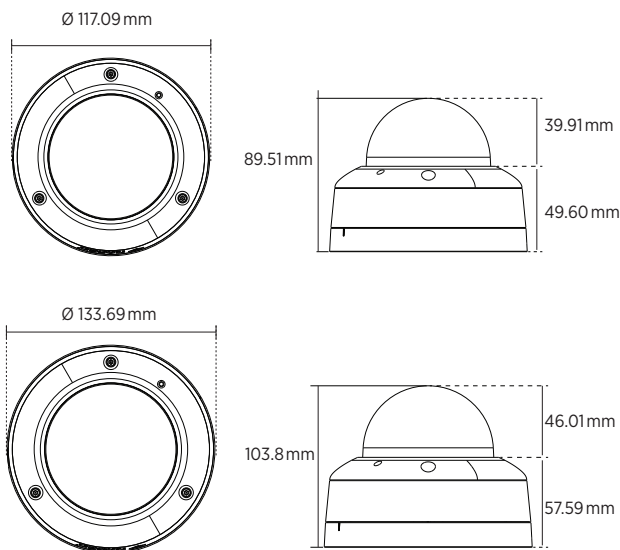
EL5 IR Dome

Rugged 5MP IR dome with video analytics



ONVIF | SGT

The **EL5 IR Dome** from March Networks brings 5MP resolution and active IR illumination to deliver high-quality images in a variety of lighting conditions. The camera features a set of powerful video analytics including tripwire, intrusion detection, loitering detection, and abandoned object, and is rated for indoor and outdoor use with a housing designed to be weather-proof (IP66) and vandal-resistant (IK10).



Key Benefits

▼ Built-In Video Intelligence

- **Abandoned Object** - an alarm is triggered if an object remains in one spot for too long.
- **Loitering Detection** - an alarm is triggered when people remain in an area for too long.
- **Tripwire** - an alarm is triggered when a person or object crosses the defined line.
- **Intrusion Detection** - an alarm is triggered when people or vehicles enter a specific area.
- **Object Removal** - an alarm is triggered if an object is removed from an area.

▼ **Rugged housing.** The IK10, vandal-resistant design withstands impact on the body of the housing, and the IP66 rating protect the camera from dust and water intrusion.

▼ **Smart IR Illumination.** The built-in LED provides uniform illumination in a variety of lighting conditions, which means users will see high-quality, low-noise video from 30 m (98 ft). Additionally, the camera automatically adjusts the intensity of the IR LED to compensate for the distance of an object, so the object is not overexposed when it gets too close to the camera.

▼ **Never worry about losing video again.** Our cameras can record to internal microSDHC cards or NAS devices, giving you redundant recording in the event of a network outage or power failure.

A cost-effective camera that delivers high-quality images in a variety of lighting and weather conditions.

EL5 IR Dome

CAMERA

Image Sensor	1/2.7" Progressive Scan CMOS
Effective Pixels	5MP (2880H x 1620V)
Lens	41512-101: 2.8mm, F1.6, Fixed focal lens 41513-101: 2.7-13.5mm, F1.6-3.1, Motorized, P-Iris
Field of View	41512-101: Horizontal: 133° 41513-101: Horizontal: 32.8-106°
High Dynamic Range (HDR)	120dB
Day/Night	Automatic IR cut filter
Minimum Illumination	Color: 0.03 lux; 0 lux with IR On
Shutter Speed	1/5s to 1/32000s
Camera Angle Adjustment	41512-101: Pan 350°, Tilt 80°, Rotation 350° 41513-101: Pan 353°, Tilt 75°, Rotation 350°
White Balance	Manual/Automatic
IR Wavelength	850nm
IR Illumination Distance	30 m (98 ft)

VIDEO

Video Compression	H.265, H.264, M-JPEG
Resolution	4.7MP 3K (2880x1620), 3.7MP QHD (2560x1440), 2MP 1080p (1920x1080), 1.4MP 900p (1600x904), WXGA (1360x768), 1MP 720p (1280x720), 640x360
Frame Rate	Up to 30fps @ 5MP
Streaming	Up to 3 individually configurable streams in H.265/H.264/M-JPEG Configurable resolution/frame rate/bandwidth
Image Settings	Backlight compensation, white balance, noise reduction, wide dynamic range, privacy mask, brightness, exposure, sharpness, contrast, saturation, smart IR, day/night threshold

AUDIO

Audio Streaming	Full Duplex
Audio Compression	G.711 PCM
Audio Input/Output	1 x 3.5mm stereo input, 1 x 3.5mm stereo output PN 41513-101 includes embedded microphone

NETWORK

Security	Password protection, HTTPS encryption, IEEE 802.1X
Supported Protocols	IPv4/v6, TCP/IP, UDP, RTP, RTSP, HTTP, HTTPS, DHCP, PPPoE, QoS, ONVIF-S/G/T, SNMPv1/v2/v3

SYSTEM INTEGRATION

Video Analytics	Video motion detection, active video tampering, abandoned object, loitering detection, tripwire, intrusion detection, object removal
Alarm Trigger	Video analytics, audio detection
Alarm Events	Video recording to local storage

ELECTRICAL

Power	C4801A - 12 Vdc 0.62 A; 37-57 Vdc 0.210-0.136 A (PoE 802.3af, Class 0) C4901A - 12 Vdc 0.52A; 37-57 Vdc 0.172-0.112 A (PoE 802.3af, Class 0)
Power Consumption	C4801A - 12 Vdc max. 7.5 W; PoE max. 7.8 W C4901A - 12 Vdc max. 6.3 W; PoE max. 6.4 W

PHYSICAL

Construction	Metal housing and polycarbonate bubble
Dimensions	C4901A - Ø 117 x 89 mm (Ø 4.61 x 3.52 in) C4801A - Ø 133 x 103 mm (5.25 x 4.09 in)
Weight	C4901A - 562 g (1.23 lb) C4801A - 758 g (1.68 lb)

ENVIRONMENTAL

Operating Temperature	-30 °C to +60 °C (-22 °F to +140 °F)
Humidity	10-90% RH, non-condensing
Ingress Protection Rating	IP66
Impact Rating	IK10

USER CONNECTIONS

Ethernet	RJ45 10/100 Base-T
Power	Barrel-type

GENERAL

Local Storage	MicroSD/MicroSDHC/MicroSDXC memory card up to 1TB (not included)
LED Indicator	Power, Activity
Included Accessories	Quick Start Guide; mounting template; mounting hardware; desiccant

REGULATORY

Regulatory Model	1: C4801A 2: C4901A
Safety	UL 62368-1, CSA 62368-1, IEC/EN 62368-1
EMC	EN 55032, EN61000-3-2, EN61000-3-3, FCC Part 15 Subpart B, ICES-003, CISPR 32, AS/NZS CISPR 32, EN55035
Environmental	RoHS, WEEE
Compliance Marking	CE, cULus, RCM, WEEE, UKCA, NOM

ORDERING INFORMATION

CAMERA	
41512-101	C4901A - EL5 IR Dome (Fixed Lens)
41513-101	C4801A - EL5 IR Dome (Motorized Lens)
41191	Wall Bracket
41913	Round Back Box
40743	NPT Cap for EL5 C49xx
42046	NPT Cap for EL5 C48xx
36989	1.5" NPT Wall Mount with Back Box
41517	1.5" NPT Wall Mount
36990	Pendant Mount with Backbox
27639	Corner Mount Adapter
41515	Pole Mount Adapter
41516	MNT MINIDOME

5-year warranty:

- Option for Advance Replacement or Repair & Return.
- No need to issue a PO prior to receiving the replacement.
- March Networks incurs all shipping costs — both ways — for Advance Replacements.