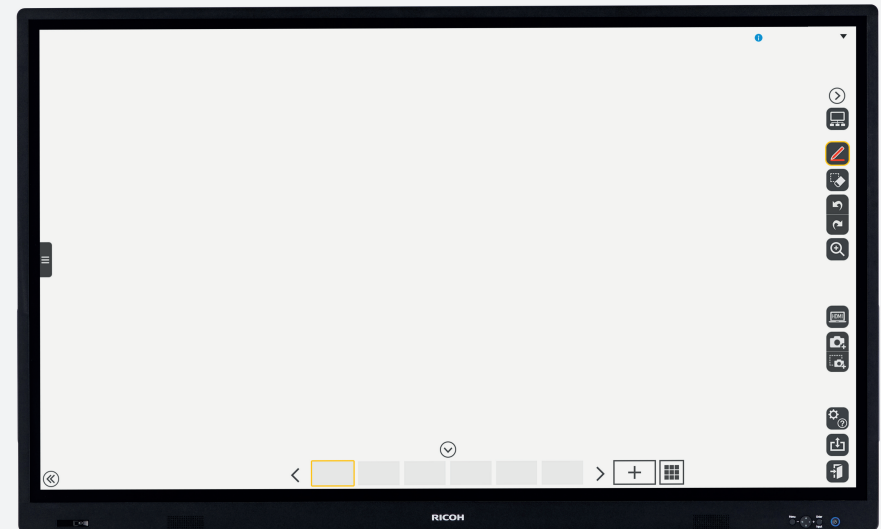


# Ricoh D6520

Update your workstyle,  
transform your teamwork

The Ricoh D6520 is the one-stop solution for collaboration your organisation needs. It enables better communication and unified teamwork during meetings and presentations. The D6520 has a 4K display that gives you all the space you need to share ideas. The multi-touch screen uses InGlass™, Optical bonding technology that allows you to precisely annotate documents and get your ideas across with clarity.

- 4K one-stop collaboration hub with document annotation and web browsing capabilities
- Motion Detection feature
- Connect easily your camera and microphone to use immediately embedded speakers
- Integrates with Ricoh videoconference services: UCS / UCS Advanced and Skype™ for Business
- Choose the best option for your organization between Smart Controller and Standard Controller
- Choose the best collaboration software package to improve your experience
- Adding Ricoh Streamline NX (SLNX) enables secure card-based device access and allows you to email and print anything produced on the Board



Landscape orientation

Available Colours



## PRODUCT HIGHLIGHTS

MEDIUM LARGE  
MEETING ROOM

FLOOR STAND  
VESA MOUNT

VIDEO  
CONFERENCE  
READY  
AND REALTIME  
CONTENT  
SHARING

MOTION  
DETECTION

SMART  
DEVICE  
CONNECTIVITY

INTERACTIVE  
SOFTWARE &  
APPLICATIONS

Some features are supported by Ricoh Standard controllers only

# Board Sheet

Category	Item	D6520	
Display Panel	Panel Size	65 inch	
	Aspect Ratio	16:9	
	Back Light	DLED	
	Max Resolution [dot]	3,840 x 2,160 dot (4K)	
	Max Display Color	1.07 Billion colors	
	Pixel Pitch [mm]	0.372(H) x 0.372(W)	
	Brightness [cd/m <sup>2</sup> ] (typ.)	440	
	Contrast Ratio (typ.)	5000:1	
	Angle of View [deg] (typ.)	"left-right:178 upper-lower:178"	
	Active Screen Size [mm]	1,428.48(H) x 803.52(V)	
	Response Speed [ms]	8(Typ.)	
	Color	White / Black	
	Display Orientation	Landscape	
	Touch Sensor	Technology	InGlass™, Optical bonding
Touch Point		"Pen&Finger : 4 points (φ 2 - 8mm) Finger&Small Eraser : 20 points (φ8- 50mm) Larger Eraser : 2 points (φ50mm - ) Total (Max) : 20 points"	
Resolution		Time Resolution: 150pt/sec Reported Resolution: 19353x10886 (landscape)	
Accuracy		Center area: 1mm (Typ) Edge area: 1.2mm (Typ)	
Touch Pen Request		2.0mm	
OS		Multi Touch	Windows 8 / 8.1 Windows 8 / 8.1 Pro Windows 8 / 8.1 Enterprise Windows Embedded Standard 7 P Windows Embedded Standard 8 Windows 10 Home Windows 10 Pro Windows 10 Enterprise Windows 10 IoT
			Single Touch
			Mac OS X 10.8 ~Mac OS X 10.15
		Touch Output	USB 3.0 (Type B)*
Cover Glass		Thickness [mm]	2mm
	Coating	Pre-treated AG (Anti-glare) AF (Anti-fingerprint)	
	Hardness [H]	7	

Motion Detection Sensor		Yes	
Remote Control Sensor		Yes	
Dust Resistant Function		IP5X equivalent	
Power Supply	Power Supply	100-240V, 50-60Hz	
	Power Consumption [W]	In Operation	Less than 300W (without OPS) Less than 380W (Fully configured)
		Standby	Less than 0.3W (without OPS)
Sound	amp [W]		12+12
	Internal Speaker		Stereo (12+12)
	Input	L/R, RCA	No
		Line3.5mm	1
	Output	L/R, RCA	No
Speaker-out		1 Headphone-Out)	
Video	Input	VGA (Mini D-SUB 15pin)	1
		HDMI	1
		DVI-D	No
		DisplayPort	1
		Composite	No
		Component	No
	Output	S-Video	No
		VGA	No
		DVI	No
		DisplayPort	1
USB Hub(1)	I/F	USB3.0	
	Port	USB3.0: 2port(1.5A/port) TypeA	
	Power Supply	Self Powered	
USB Hub(2)	I/F	USB3.0	
	Port	USB3.0: 4port(1.5A/port) TypeA	
	Power Supply	Self Powered	
Control	Input	RS-232C	1
	Output	RS-232C	1
	RJ45 (Wired LAN)		No
	USB3.0 (Type B) *for Touch Sensor		USB3.0 (Type B) x 1
OPS Slot		1	
Operation Key		Tact switch x 7	
Product Size (W x D x H) [mm]		1,508 (W) x 83 (D) x 920 (H) (Landscape)	
Product Weight [kg] [Max]		45 47	
Installation		VESA 400(W)x400(H)mm M8x16mm (depth)	
Environmental Condition	Operating Temperature Limits [°C]		0 - 32°C
	Operating Humidity Limits [%]		10 - 80%RH
	Storage Temperature Limits [°C]		-10 - 50°C
	Storage Humidity Limits [%]		15 - 80%RH
	Noise (dB)		Less than 35

# Ricoh D6520

# Controllers

Category	Item	Specification		
Main Spec (OPS)	Development Name	STANDARD CONTROLLER	SMART CONTROLLER OP5	SMART CONTROLLER OP10
	Product Name	RICOH Collaboration Board Controller Type 3	RICOH Interactive Whiteboard Controller OP-10	RICOH Interactive Whiteboard Controller OP-5
	CPU	Intel Core i5-6500TE	Intel Core i7-6700TE	Intel Core i5-6500TE
	System OS	Windows 10 IoT Enterprise LTSC 2019 64-bit	Windows 10 Professional 64-bit	Windows 10 Professional 64-bit
	SSD	128GB	512 GB	128 GB
	RAM Memory	8GB	16 GB	8 GB
	Chipset	H110	Q170	H110
	LAN Interface (Wired)	10BASE-T/ 100BASE-TX/ 1000BASE-T	10BASE-T/ 100BASE-TX/ 1000BASE-T	10BASE-T/ 100BASE-TX/ 1000BASE-T
	LAN Interface (Wireless)	802.11 ac/a/b/g/n	802.11 ac/a/b/g/n	802.11 ac/a/b/g/n
	Interface (Output)	HDMI x 1	HDMI	HDMI
	Interface (Input)	VGA x 1 DisplayPort x 1 HDMI x 1	VGA x 1 DisplayPort x 1 HDMI x 1	VGA x 1 DisplayPort x 1 HDMI x 1
	Interface (Others)	USB 3.0 Type A x 3, 3.5 mm microphone jack, 3.5 mm headphone jack	USB 3.0 Type A x 3, 3.5 mm microphone jack, 3.5 mm headphone jack	USB 3.0 Type A x 3, 3.5 mm microphone jack, 3.5 mm headphone jack
	Bluetooth	Embedded	Embedded	Embedded
	Recovery Time from Standby Mode	About 65 seconds	About 6 seconds	About 6 seconds
Power Source	DC +12 to 19V	DC +12 to 19V	DC +12 to 19V	
Capture Box	Included (4K)	Not included	Not included	
Installation	Insert into OPS slot	Insert into OPS slot	Insert into OPS slot	
Product Size (W x D x H) [mm]	200 x 119 x 30 (OPS itself)	200 x 119 x 30	200 x 119 x 30	
Product Weight [kg]	1.0kg (OPS), 0.3kg (Capture Box)	1.0kg (OPS)	1.0kg (OPS)	
Environmental Condition	Operating Temperature Limits	0 - 32	0 - 32	0 - 32
	Operating Humidity Limits	10 - 80%	10 - 80%	10 - 80%
	Storage Temperature Limits	-10 - 50	-10 - 50	-10 - 50
	Storage Humidity Limits	15 - 80%	15 - 80%	15 - 80%

# Capture Box

Item	4K Capture Box
Interface (Input)	HDMI 1.4b / DP 1.1 / VGA
Resolution (Output)/fps	30fps @ 4K/2K
Resolution (Input)/fps	30fps @ 4K / 60fps @ 2K
Audio Sampling Rate	48kHz @ 16/24bit Hardware: 44.1kHz, 32kHz
Non-HDCP Contents Display via Mac PC	HDMI/DP
Color Image	YUV422@2K / YUV420@4K
Time to Display via Capture Box	VGA/HDMI: 5sec DP: 7sec
Delay to Display	100msec
Dimension (W x D x H) [mm]	165 x 115 x 30 (Capture Box itself)
Input Detection via Converter	Automatic

# Ricoh D6520

## Options

### Controllers

RICOH Collaboration Board Controller Type 3

RICOH Smart Controller OP5

RICOH Smart Controller OP10

### Floor Stand

RICOH Collaboration Board Stand Type 7

### Writing Tools

RICOH Collaboration Board Touch Pen Type 3

RICOH Interactive Whiteboard Eraser Type 1

RICOH Interactive Whiteboard Remote License Type 1

### Software

RICOH IWB PLUGIN FOR O365 (Controller Type3 required)

RICOH COLLABORATION SOFTWARE RICC (Controller OP5/10 required)

## Compliance

### Supported Standards

#### SAFETY STANDARDS

UL62368-1, ;CAN/CSA-C22.2

EN62368-1; (CE marking)

EN60950-1 / EN62368-1 (TUV)

IEC60950-1 / IEC62368-1 (CB attestation)

CNS14336 (RPC)

KC Mark

GB4943 (CCC)

CU-TR

#### EMC

FCC Part15 SubpartB

IC ES-003

EN55024 (CE marking),EN55032 (CE marking)

EN55024,EN55035,EN55032,EN61000-3-2,EN61000-3-3

AS/NZS CISPR32 (C-Tick)

GB9254, GB17625.1 (CCC)

CNS13438 (RPC)

CU-TR (EMC)

#### EMF

EN62311 (CE marking)

## Accessories

### Remote Controller

Power Cord (longer than 2.5m)

VGA Cable (3.0m)

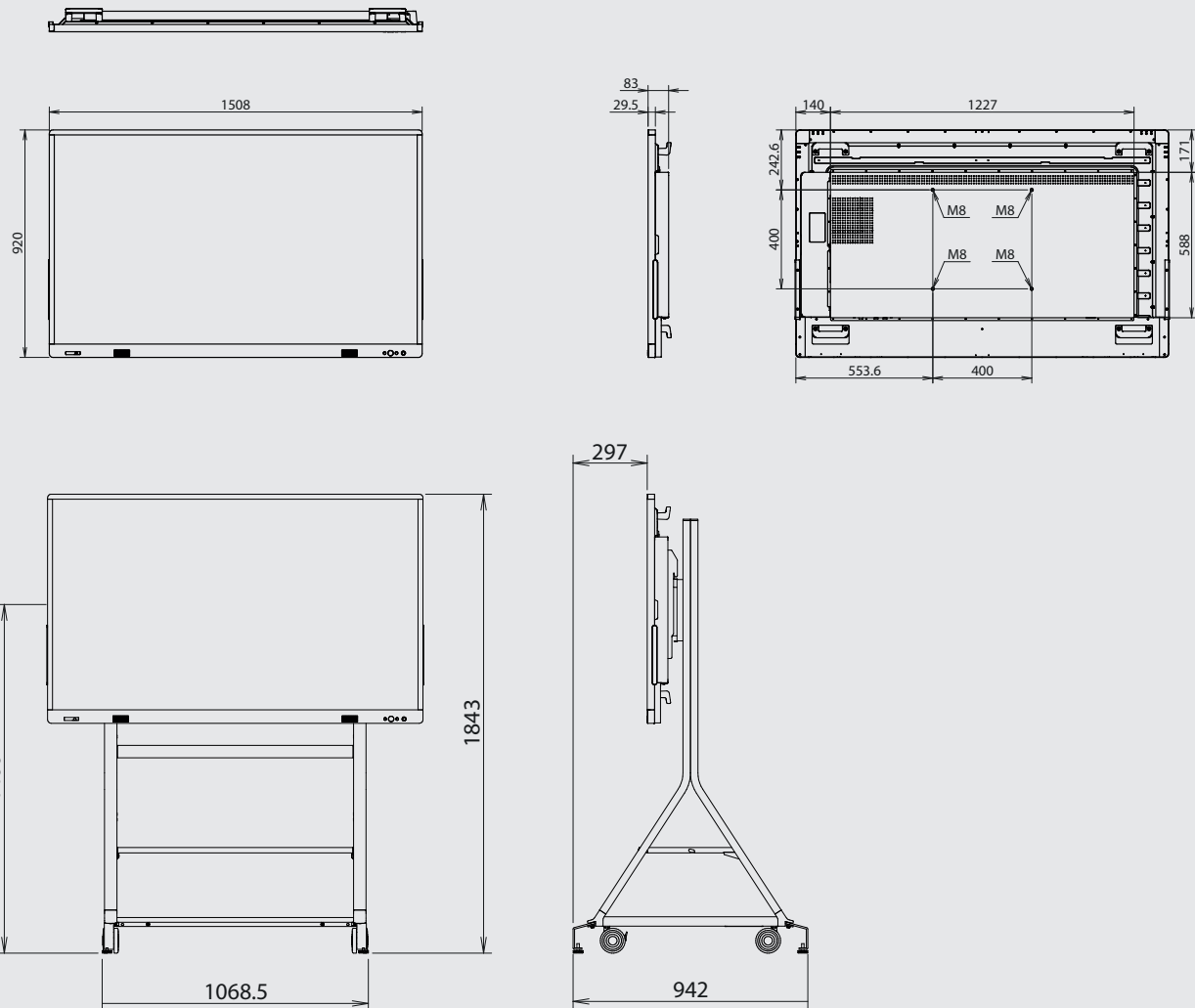
USB Cable 3.0 (1.8m)

HDMI Cable 2.0 (4.6m)

# Ricoh D6520

# Ricoh D6520

## Dimensional Drawing



**Мегатрейд – Офіційний дистриб'ютор Ricoh в Україні**  
 03057, м. Київ, вул. Смоленська, 31-33  
 Тел. (044) 538-00-06, Email: [printsales@megatrade.ua](mailto:printsales@megatrade.ua)  
[www.megatrade.ua](http://www.megatrade.ua)



**MEGATRADE**  
 project distribution