

# 19" CK-Line Free Standing Cabinets



# 19" CK-Line

## Free Standing Cabinets

**7-8**

19" CK-Line Free Standing Cabinets 600x600 mm

---



**9-10**

19" CK-Line Free Standing Cabinets 600x800 mm

---



**11-12**

19" CK-Line Free Standing Cabinets 600x1000 mm

---



**18-19**

19" CK-Line Free Standing Cabinets 800x800 mm

---



**20-21**

19" CK-Line Free Standing Cabinets 800x1000 mm

---



**23-24**

19" CK-Line Free Standing Server Cabinets 600x1000 mm

---



**25-26**

19" CK-Line Free Standing Server Cabinets 800x1000 mm

---



# 19" CK-Line

## Free Standing Cabinets

### Family

W=600mm CK-Line Free Standing Cabinets

The CK-Line product range is developed for Networking and Servering structure needs, with the most economic offer carrying the all necessity functions required in the structure of network and server applications.

The fully automated industry applied production gives the maximum optimized output of quality and cost, by this way the product range hits to its target of achievement.

The 600 series is available in 8 heights from 12U through to 42U, and in certain sizes a choice of depth is also available including 600, 800 and 1000 mm options. Each cabinet is supplied as standard with a glass front door, steel rear door and lift off steel side panels, all of which are lockable. The 800 wide series are starting from 32 to 42U size.

The wide product height portfolio meets any U requirement in infrastructure needs.

CK-Line series have a professional technical but aesthetic look with decorative Metal Housing on the front door; the product range attracts the attention with the mostly environmentally fit and selected color of RAL 9005 Black, and RAL 7035 Light Grey, with fine wrinkle soft touch paint.

The product range allows with 1000 mm depth versions, usage in private / low density server and storage applications. As well D1000 mm versions offered with %63 perforated front and rear doors for better removal of thermal load inside rack for low density server and storage applications

Completely standard and stocked product portfolio, being delivered as a single piece assembled product, as shipping configuration the adjustable feet group is included.

CK-Line series product range with optimal panel mounting size, and a variety range of accesories enclose the whole expectation of users.



W600 x D600 mm



W600 x D800 mm



W600 x D1000 mm

# 19" CK-Line

## Free Standing Cabinets

### Family

#### Construction details:

Main profile, framework, top/bottom cases:

Multi folded automated bending technology applied corner profile system, provides a heavy duty structure results to high load capacity of: 600 kg.

Monoblock multi folded top and bottom cases, tightly fixed to the framework with fixing hardware rivets.

Top case has a ready forced ventilation (Fan Module) integration housing.

Fan Module installation is from inside of enclosure.

There are 2 pcs Dummy PVC Plates closing the roof cable entry on top, at W600 mm cabinets. Also at W800 mm cabinets these dummy cover plates are located at both left and right side of the roof and bottom case. Only W600 mm x D600 mm roof is already integrated with brushed cable entry due to less space on roof combination with cable entry & Fan Module Housing.

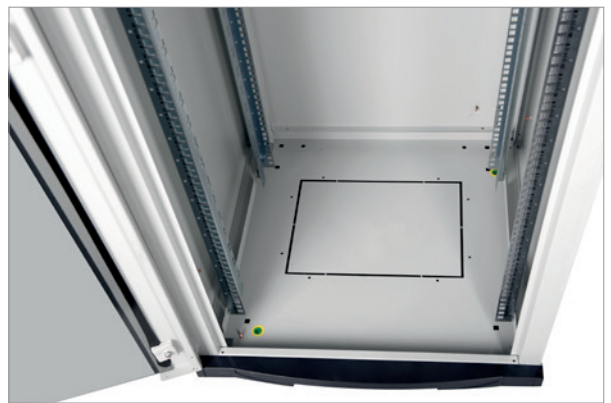
Once needed, any of these 2pcs Dummy Plates can be removed, to insert the cables from requested partition of either bottom case or top case, even both, in order to allow higher density cable insertion to the enclosure.

As accessory a brush set is offered as 300x55 mm size, whenever the cable entry required to be with a protection for the falling dust, this accessory can be used. See accessory section for request.

Bottom case integrated with a large knock-out plate, once cables to come from bottom easily removed and cables to insert. Once a better protection for cables, as well for dust entry, the knock-out provision can be integrated with the rubber edged sliding mechanism on the cable entry point at bottom with w=350xd=250 mm.

On rubber edged sliding mechanism max cable entry opening is w=350xd=150 mm.

After inserting the cables, the rubber edged mechanism holds and fixes the cables in parallel preventing the cabinet from dust entry.



# 19" CK-Line

## Free Standing Cabinets

### Family

#### Construction details:

##### Access to enclosure:

Front door is integrated with decorative metal housing and full length smoked, shatterproof, antistatic, 4,0mm thickness glass with single point locking handled lock.

Front doors have decorative PVC Stripes charming the attraction, Anthracite Grey for RAL 7035 Light Grey Cabinets and Light Grey for RAL 9005 Black cabinets.

Front door opening direction is set right to left, but reversible to left to right at site with removing the hinge system. Hinge System is spring loaded easy operating version, which allows you to remove the whole front door from cabinet in seconds. No need of any tool during installation or removal of front door.

Front doors have 235 degree opening angle, which allows easy access to enclosure, while installation or afterwards the maintenance processes.



Rear doors are lockable and removable with barrel style lock, Multifolded bending technology with 8 fold bending provides the rigidity. Rear doors are with spring loaded hinge system can be removed in seconds from enclosure.

No need of any tools while installing or removing the rear door.

Rear doors have 120 degree opening angle.



Single Point Handle Lock Details



# 19" CK-Line

## Free Standing Cabinets

### Family

#### Construction details:

Side panels are lockable and removable with barrel style lock and 2pcs PVC snap lockers per side panel, multifolded bending technology applied with 8 fold bending provides the rigidity. Easy mechanical locking of panel to main frame with snap capture system allows easy attachment of panels and easy removal in seconds while installation in process. No need of any tools while installing or removing the side panels.

19" rails of Lande CK-Line Series Free Standing cabinets are with automated silk-screen U numbering, depends on size 1U to 42U, same from top to bottom or bottom to top results to same U height selection. No matter from where you have started counting. 19" rails are 4 fold bending surfaces, 1,5 mm thickness provides the high load capacities. The 19" rails are made of steel with 8-12 micron zinc plating for corrosion resistance. 19" rails are adjustable in depth. For easy adjustment purpose, no need to detach the screws, just ease the screws and slide them in the channels on the top/bottom chassis bends.

**Side Horizontal Support Bar** in depth; up to 26U the 19" rails are fixed to just top and bottom case. Higher than 26U the cabinets are integrated with 1 set (left/right), 1,5 mm thickness Z type made of Steel + 8-12 micron zinc plated **side horizontal support bar**.

**All design features provide 4 way access to your enclosure and equipments, easy to reach to enclosure and equipments for all infrastructure installations and maintenance needs.**

CK-Line Cabinets has a decorative ABS header unit. For volume orders or projects, please coordinate with sales department to select any other color application than Anthracite Grey or Black standard offer by Lande.

In standard, all Header Unit upper left corner fitted with a digital thermometer with 1 meter cable probe, integrated with 2 lithium battery with 2 year life, measurement once for every minute.



# 19" CK-Line

## Free Standing Cabinets

Width: 600 mm  
Depth: 600 mm

**Load Capacity: 600 kg.**

**U Height: 12U, 16U, 20U, 22U,  
26U, 32U, 36U, 42U**

### Standards and Compliances:



**ISO 9001**  
Quality Management System

EN 61587-1  
Mechanical Structures for  
Electronic Equipment

EN IEC 60297, 19" Mounting  
EN IEC 60917 Overall Cabinet  
Dimensions

EN/IEC 60529 - IP20 Ingress Protection  
performance

EN/IEC 62262 - IK07 Mechanical  
Impact Resistance

EIA/ ECA-310 (D/E) 19" 482,6 mm  
and U 44,45 mm Height Sizing



**CE conform to**  
EN 60950-1  
Information Technology  
Equipment, Safety,  
Part-1: General Requirement

EN IEC 62368-1 Audio/Video, Information  
and Communication Technology Equipment  
Part 1: Safety requirements



**UL listed to**  
UL 2416, Outline of Investigation for  
Audio/Video, Information and  
Communication Technology Equipment  
Cabinet, Enclosure and Rack  
Systems; UL 60950-1 and CSA C22.2  
NO. 60950-1-07, Information Technology  
Equipment Safety  
Part 1: General Requirements



**Environment Friendly;**  
ISO 14001 Environmental  
Management System  
RoHS compliancy  
%100 Recyclable Material



**ISO 45001**  
The Occupational Health and Safety  
Management System

### Standard Color:



RAL 7035 Light Grey



RAL 9005 Black



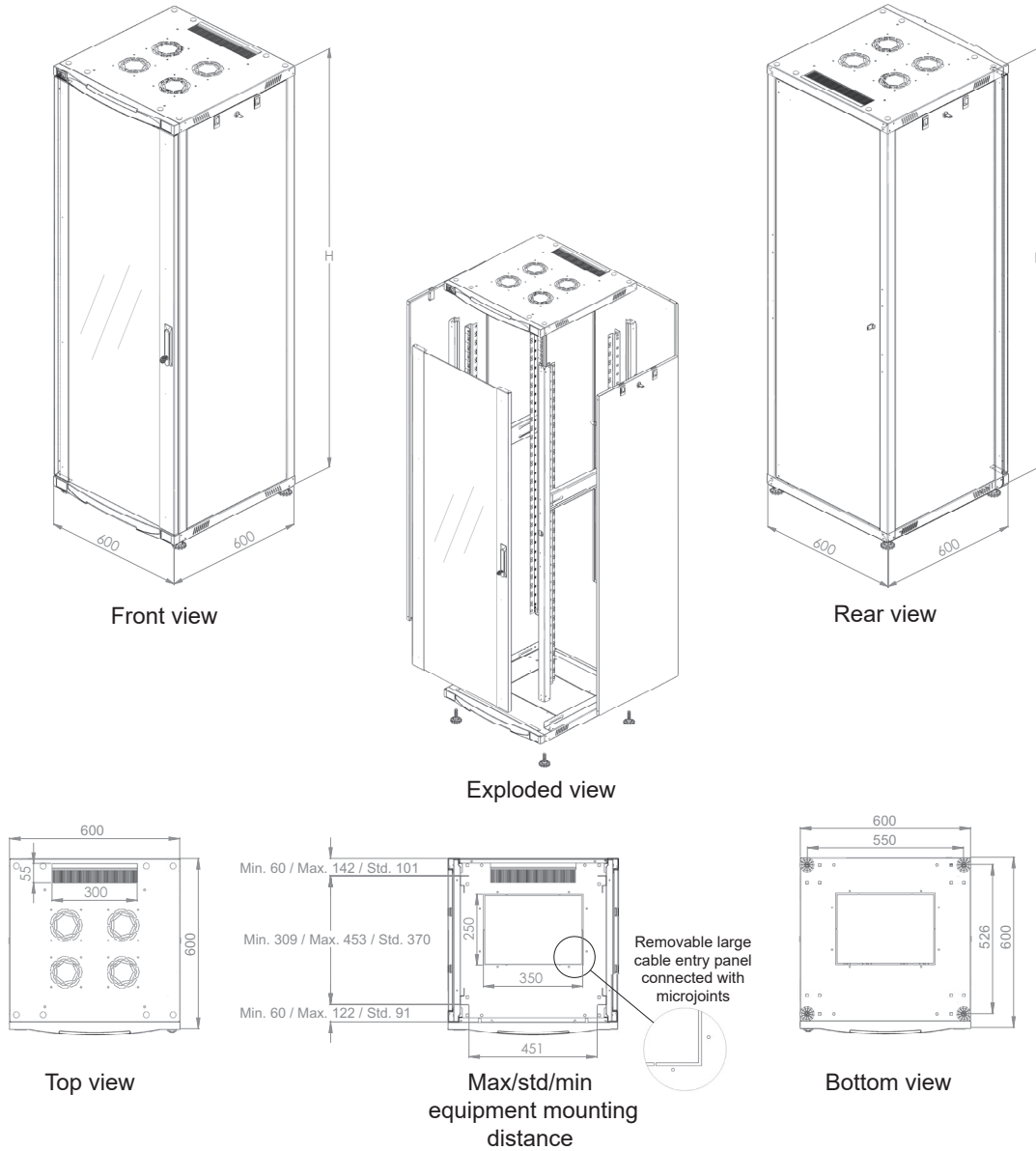
CK-Line Free Standing Cabinets, with 19" w:600 mm and d:600 mm physical sizes, with max internal usable depth, and 8 different height, gives a wide selection chart for users.

# 19" CK-Line

## Free Standing Cabinets

**Width: 600 mm**  
**Depth: 600 mm**

### Construction Drawings



19" CK-Line Free Standing Cabinets W=600 mm D=600 mm						
Product Number*	Product Description	Size WxDxH mm	h Size in U	h in mm	Packing Dimensions WxDxH mm	Weight of Product kgs
LN-CK12U6060-CC	12U 19" Free Standing Cabinets W=600 mm D=600 mm with LCD Thermometer	600x600x647	12U	533	680x680x783	26
LN-CK16U6060-CC	16U 19" Free Standing Cabinets W=600 mm D=600 mm with LCD Thermometer	600x600x824	16U	711	680x680x960	33
LN-CK20U6060-CC	20U 19" Free Standing Cabinets W=600 mm D=600 mm with LCD Thermometer	600x600x1002	20U	889	680x680x1140	40
LN-CK22U6060-CC	22U 19" Free Standing Cabinets W=600 mm D=600 mm with LCD Thermometer	600x600x1091	22U	978	680x680x1226	43,5
LN-CK26U6060-CC	26U 19" Free Standing Cabinets W=600 mm D=600 mm with LCD Thermometer	600x600x1269	26U	1155	680x680x1406	51,5
LN-CK32U6060-CC	32U 19" Free Standing Cabinets W=600 mm D=600 mm with LCD Thermometer	600x600x1536	32U	1422	680x680x1676	62
LN-CK36U6060-CC	36U 19" Free Standing Cabinets W=600 mm D=600 mm with LCD Thermometer	600x600x1713	36U	1600	680x680x1854	69,5
LN-CK42U6060-CC	42U 19" Free Standing Cabinets W=600 mm D=600 mm with LCD Thermometer	600x600x1980	42U	1867	680x680x2120	79

\*CC= Color Code, LG Light Grey RAL 7035, BL Black RAL 9005, customers to define while ordering, product is with Glass Front door with Handled Lock, Rear Solid Metal Hinged Door style with "O" type Barrel Lock.

# 19" CK-Line

## Free Standing Cabinets

Width: 600 mm  
Depth: 800 mm

**Load Capacity: 600 kg.**

**U Height: 12U, 16U, 20U, 22U,  
26U, 32U, 36U, 42U**

### Standards and Compliances:



**ISO 9001**  
Quality Management System

EN 61587-1  
Mechanical Structures for  
Electronic Equipment

EN IEC 60297, 19" Mounting  
EN IEC 60917 Overall Cabinet  
Dimensions

EN/IEC 60529 - IP20 Ingress Protection  
performance

EN/IEC 62262 - IK07 Mechanical  
Impact Resistance

EIA/ ECA-310 (D/E) 19" 482,6 mm  
and U 44,45 mm Height Sizing



**CE conform to**  
EN 60950-1  
Information Technology  
Equipment, Safety,  
Part-1: General Requirement

EN IEC 62368-1 Audio/Video, Information  
and Communication Technology Equipment  
Part 1: Safety requirements



**UL listed to**  
UL 2416, Outline of Investigation for  
Audio/Video, Information and  
Communication Technology Equipment  
Cabinet, Enclosure and Rack  
Systems; UL 60950-1 and CSA C22.2  
NO. 60950-1-07, Information Technology  
Equipment Safety  
Part 1: General Requirements



**Environment Friendly;**  
ISO 14001 Environmental  
Management System  
RoHS compliancy  
%100 Recyclable Material



**ISO 45001**  
The Occupational Health and Safety  
Management System

### Standard Color:



RAL 7035 Light Grey



RAL 9005 Black



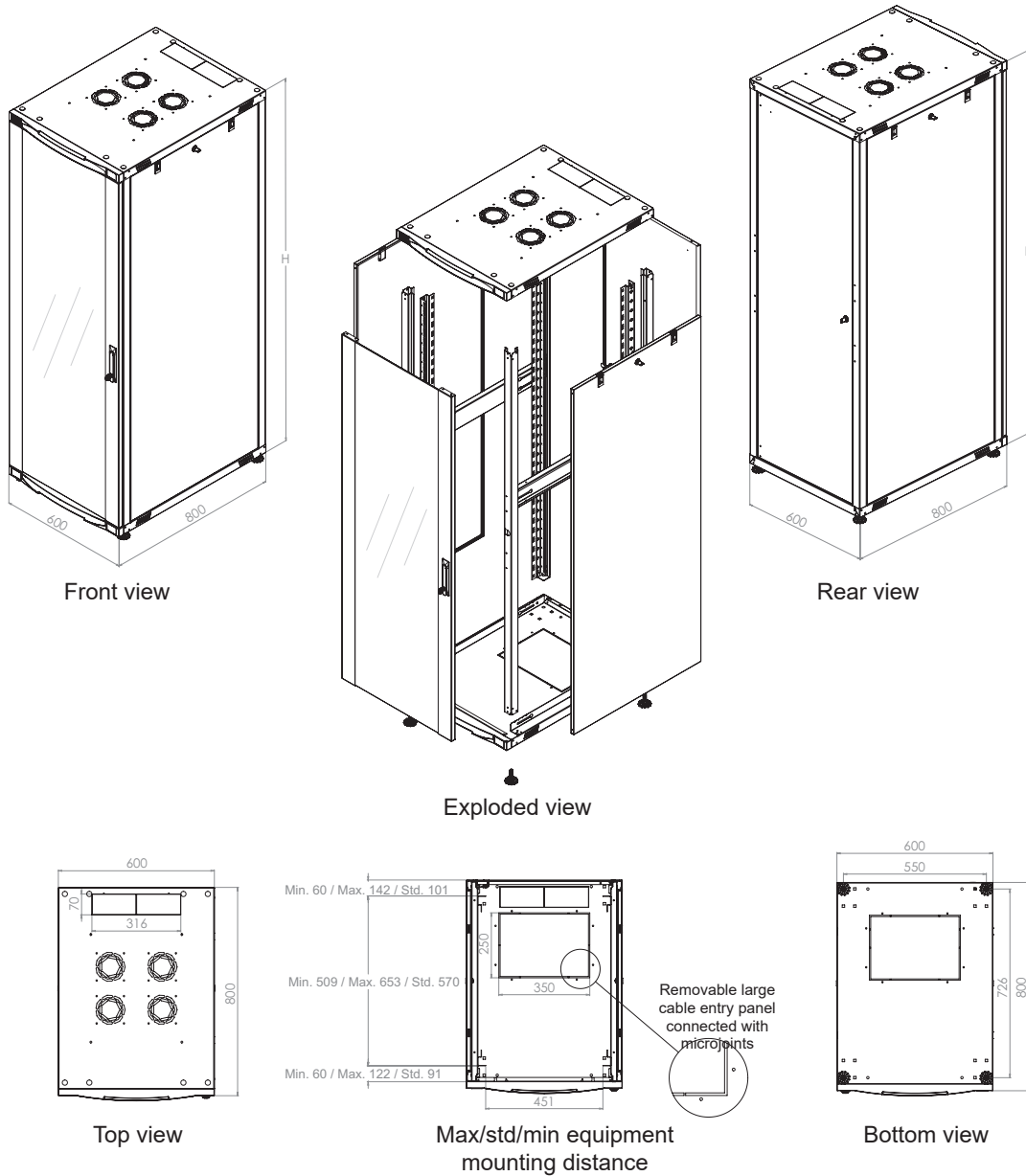
CK-Line Free Standing Cabinets, with 19" w:600 mm and d:800 mm physical sizes, with max internal usable depth, and 8 different height, gives a wide selection chart for users.

# 19" CK-Line

## Free Standing Cabinets

**Width: 600 mm**  
**Depth: 800 mm**

### Construction Drawings



#### 19" CK-Line Free Standing Cabinets W=600 mm D=800 mm

Product Number*	Product Description	Size WxDxH mm	h Size in U	h in mm	Packing Dimensions WxDxH mm	Weight of Product kgs
LN-CK12U6080-CC	12U 19" Free Standing Cabinets W=600 mm D=800 mm with LCD Thermometer	600x800x647	12U	533	680X880x783	30
LN-CK16U6080-CC	16U 19" Free Standing Cabinets W=600 mm D=800 mm with LCD Thermometer	600x800x824	16U	711	680X880x960	38
LN-CK20U6080-CC	20U 19" Free Standing Cabinets W=600 mm D=800 mm with LCD Thermometer	600x800x1002	20U	889	680X880x1140	45,5
LN-CK22U6080-CC	22U 19" Free Standing Cabinets W=600 mm D=800 mm with LCD Thermometer	600x800x1091	22U	978	680X880x1226	50
LN-CK26U6080-CC	26U 19" Free Standing Cabinets W=600 mm D=800 mm with LCD Thermometer	600x800x1269	26U	1155	680X880x1406	58,5
LN-CK32U6080-CC	32U 19" Free Standing Cabinets W=600 mm D=800 mm with LCD Thermometer	600x800x1536	32U	1422	680X880x1676	70
LN-CK36U6080-CC	36U 19" Free Standing Cabinets W=600 mm D=800 mm with LCD Thermometer	600x800x1713	36U	1600	680X880x1854	76
LN-CK42U6080-CC	42U 19" Free Standing Cabinets W=600 mm D=800 mm with LCD Thermometer	600x800x1980	42U	1867	680X880x2120	89

\*CC= Color Code, LG Light Grey RAL 7035, BL Black RAL 9005, customers to define while ordering, product is with Glass Front door with Handled Lock, Rear Solid Metal Hinged Door style with "O" type Barrel Lock.

# 19" CK-Line

## Free Standing Cabinets

Width: 600 mm  
Depth: 1000 mm

**Load Capacity: 600 kg.**

**U Height: 22U, 26U, 32U, 36U, 42U**

### Standards and Compliances:



**ISO 9001**  
Quality Management System

EN 61587-1  
Mechanical Structures for  
Electronic Equipment

EN IEC 60297, 19" Mounting  
EN IEC 60917 Overall Cabinet  
Dimensions

EN/IEC 60529 - IP20 Ingress Protection  
performance

EN/IEC 62262 - IK07 Mechanical  
Impact Resistance

EIA/ ECA-310 (D/E) 19" 482,6 mm  
and U 44,45 mm Height Sizing



**CE conform to**  
EN 60950-1  
Information Technology  
Equipment, Safety,  
Part-1: General Requirement

EN IEC 62368-1 Audio/Video, Information  
and Communication Technology Equipment  
Part 1: Safety requirements



**UL listed to**  
UL 2416, Outline of Investigation for  
Audio/Video, Information and  
Communication Technology Equipment  
Cabinet, Enclosure and Rack  
Systems; UL 60950-1 and CSA C22.2  
NO. 60950-1-07, Information Technology  
Equipment Safety  
Part 1: General Requirements



**Environment Friendly;**  
ISO 14001 Environmental  
Management System  
RoHS compliancy  
%100 Recyclable Material



**ISO 45001**  
The Occupational Health and Safety  
Management System

### Standard Color:



RAL 7035 Light Grey



RAL 9005 Black



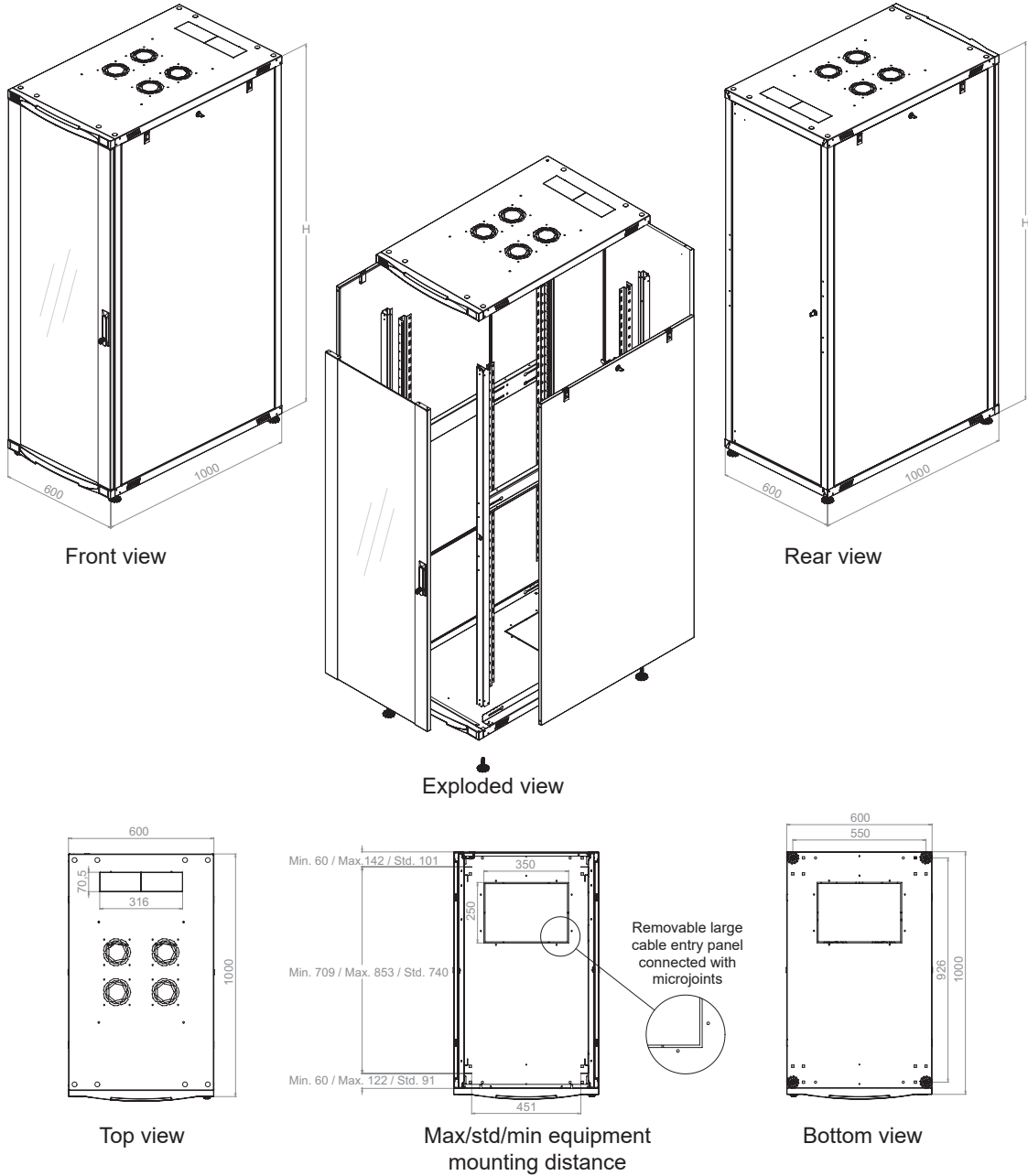
CK-Line Free Standing Cabinets, with 19" w:600 mm and d:1000 mm physical sizes, with max internal usable depth, and 5 different height, gives a wide selection chart for users.

# 19" CK-Line

## Free Standing Cabinets

**Width: 600 mm**  
**Depth: 1000 mm**

### Construction Drawings



19" CK-Line Free Standing Cabinets W=600 mm D=1000 mm						
Product Number*	Product Description	Size WxDxH mm	h Size in U	h in mm	Packing Dimensions WxDxH mm	Weight of Product kgs
LN-CK22U6010-CC	22U 19" Free Standing Cabinets W=600 mm D=1000 mm with LCD Thermometer	600x1000x1091	22U	978	680x1080x1226	62
LN-CK26U6010-CC	26U 19" Free Standing Cabinets W=600 mm D=1000 mm with LCD Thermometer	600x1000x1269	26U	1155	680x1080x1406	71
LN-CK32U6010-CC	32U 19" Free Standing Cabinets W=600 mm D=1000 mm with LCD Thermometer	600x1000x1536	32U	1422	680x1080x1676	86
LN-CK36U6010-CC	36U 19" Free Standing Cabinets W=600 mm D=1000 mm with LCD Thermometer	600x1000x1713	36U	1600	680x1080x1854	95
LN-CK42U6010-CC	42U 19" Free Standing Cabinets W=600 mm D=1000 mm with LCD Thermometer	600x1000x1980	42U	1867	680x1080x2120	110

\*CC= Color Code, LG Light Grey RAL 7035, BL Black RAL 9005, customers to define while ordering, product is with Glass Front door with Handled Lock, Rear Solid Metal Hinged Door style with "O" type Barrel Lock.

# 19" CK-Line

## Free Standing Cabinets

**W:800mm**

### Construction details:

W=800 mm CK-Line Free Standing Cabinets are carrying the same constructional features of W=600 mm segment with additional features for mass cabling infrastructure needs.

CK-Line Networking Enclosures, provide maximum optimization resulted to an optimum performance in between quality and added value.

While product gives maximum performance on cabling and networking infrastructure, in parallel provides a very valuable economy compared to its quality which is based on high technologic fully automated industry.

The 800 series is available in 32U, 36U and 42U heights for D=800 mm, and 42U height for D=1000 mm. Each cabinet is supplied in standard with double opening glass front door, single piece steel rear hinged door, all of which are lockable.

CK-Line have a professional technical but aesthetic look with decorative Housing on the front door; the product range attracts the attention with the mostly environmentally fit and selected color of RAL 9005 Black, and RAL 7035 Light Grey, with fine wrinkle soft touch paint.

The product range allows with 1000 mm depth versions, usage in private / low density server and storage applications.

Completely standard and stocked product portfolio, being delivered a single piece assembled product, as shipping configuration the adjustable feet group is included.

CK-Line product range with optimal panel mounting size, and a variety range of accesories enclose the whole expectation of users.



**W800 x D800 mm**



**W800 x D1000 mm**

# 19" CK-Line

## Free Standing Cabinets

W:800mm

### Construction details:

Main profile, framework, top/bottom cases:

Multi folded automated bending technology applied corner profile system, provides a heavy duty structure results to high load capacity of: 600 kg.

Monoblock multi folded top and bottom cases, tightly fixed to the framework with fixing hardware rivets.

Top case has a ready forced ventilation (Fan Module) integration housing.

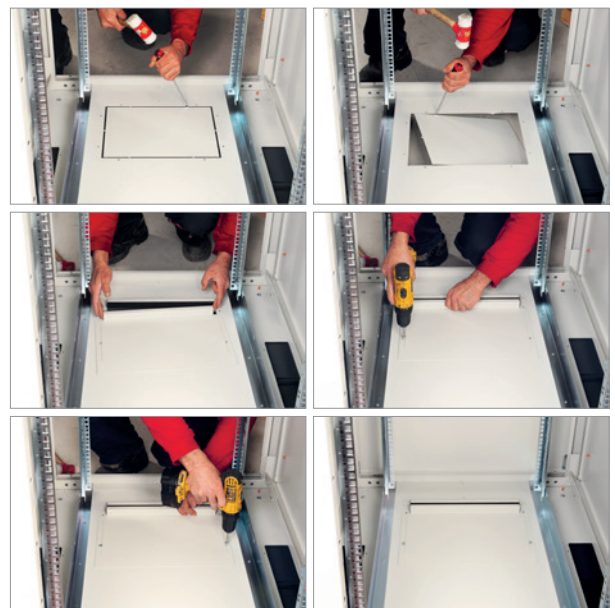
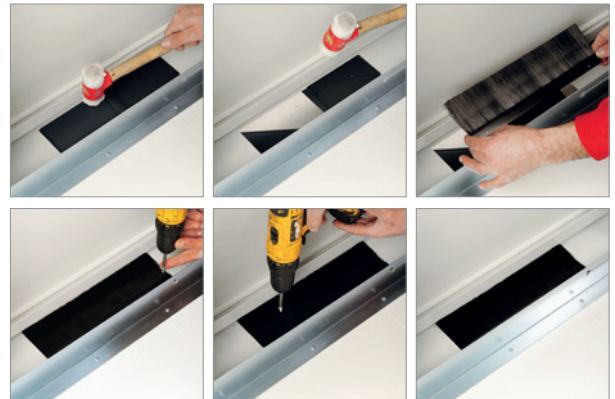
W800 mm cabinets these dummy cover plates are located at both left and right side of the roof and bottom case. Also at rear partition of the top case. Once needed, any of these 2 pcs Dummy Plates can be removed, to insert the cables from requested partition of either bottom case or top case, even both, in order to allow higher density cable insertion to the enclosure.

As accessory a brush set is offered as 300x55 mm size, whenever the cable entry required to be with a protection for the falling dust, this accessory can be used. See accessory section for request.

Bottom case integrated with a large knock-out plate, once cables to come from bottom easily removed and cables to insert. Once a better protection for cables, as well for dust entry, the knock-out provision can be integrated with the rubber edged sliding mechanism on the cable entry point at bottom with w=350 x d=250 mm.

On rubber edged sliding mechanism max cable entry opening is w=350 x d=150 mm.

After inserting the cables, the rubber edged mechanism holds and fixes the cables in parallel preventing the cabinet from dust entry.



# 19" CK-Line

## Free Standing Cabinets

W:800mm

### Construction details:

Access to enclosure:

Front door set is integrated with decorative metal housing and full length smoked, shatterproof, antistatic, 4,0 mm thickness glass top/bottom barrel locking system.

Front doors have decorative PVC Stripes charming the attraction, Anthracite Grey for RAL 7035 Light Grey Cabinets and Light Grey for RAL 9005 Black cabinets.

Front door is double opening as left and right partition. This allows less clearance in front of the cabinet while front doors are opening. Hinge System is spring loaded easy operating version, which allows you to remove the whole front door from cabinet in seconds. No need of any tool during installation or removal of front door.

Front doors have 235 degree opening angle, which allows easy access to enclosure, while installation or afterwards the maintenance processes.



Rear Doors are lockable and removable with barrel style lock, Multifolded bending technology with 8 fold bending provides the rigidity. Rear doors are with spring loaded hinge system can be removed in seconds from enclosure.

No need of any tools while installing or removing the rear door.

Rear doors have 120 degree opening angle.



Barrel lock on top, with PVC Handle



Barrel lock on bottom, with PVC Handle



# 19" CK-Line

## Free Standing Cabinets

W:800mm

### Construction details:

Side panels are lockable and removable with barrel style lock and 2 pcs PVC snap lockers per side panel, multifolded bending technology applied with 8 fold bending provides the rigidity. Easy mechanical locking of panel to main frame with snap capture system allows easy attachment of panels and easy removal in seconds while installation in process. No need of any tools while installing or removing the side panels.

19" rails of Lande CK-Line Series Free Standing cabinets are with automated silk-screen U numbering, depends on size 1U to 42U, same from top to bottom or bottom to top results to same U height selection. No matter from where you have started counting. 19" rails are 4 fold bending surfaces, 1,5 mm thickness provides the high load capacities. The 19" rails are made of steel with 8-12 micron zinc plating for corrosion resistance. 19" rails are adjustable in depth. For easy adjustment purpose, no need to detach the screws, just ease the screws and slide them in the channels on the top/bottom chassis bends.

Side Horizontal Support Bars in depth; W800 mm cabinets are integrated with 1 set (left/right), 1,5 mm thickness Omega shape Steel Bar + 8-12 micron zinc plated, and also connection to top and bottom case via L shaped + 8-12 micron zinc plated side horizontal support bars

All design features provide 4 way access to your enclosure and equipments, easy to reach to enclosure and equipments for all infrastructure installations and maintenance needs.

CK-Line Cabinets has a decorative ABS header unit. For volume orders or projects, please coordinate with sales department to select any other color application than Anthracite Grey or Black standard offer by Lande.

In standard, all Header Unit upper left corner fitted with a Digital Thermometer with 1 meter cable probe, integrated with 2 lithium battery with 2 year life, measurement once for every minute.



# 19" CK-Line

## Free Standing Cabinets

W:800mm

### Accessories;

#### Vertical Cable Managers;

For mass cabling needs, and for patchcord and cables to be managed in a better way, CK-Line W800mm cabinets are compatible with a set of (Left/Right) Metal Vertical Cable Management 97x97 mm as per the height of Rack. (32U, 36U, 42U)

These vertical cable managers are offered as accessory.

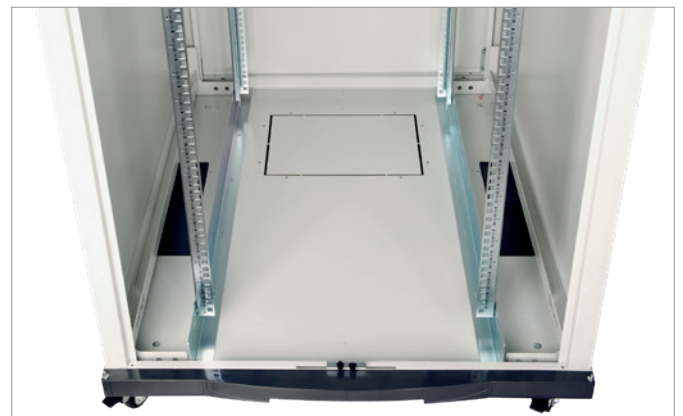
Vertical Cable managers are providing visually a clean and technically professional cabling work, where the main cable bundles are housed and hidden in the vertical cable manager trunks

Marking and labeling the cables and its bundles are easier, also with velcro stripes, some separation of cable bundles could be performed, thats why it would be easier to reach to the marked cable or its bundle.

CK-Line Series w:800 mm segment product range with a digital thermometer with 1 meter cable probe, integrated with 2 lithium battery with 2 year life, measurement once for every minute.



Vertical Cable Manager



# 19" CK-Line

## Free Standing Cabinets

Width: 800 mm  
Depth: 800 mm

**Load Capacity: 600 kg.**

**U Height: 32U, 36U, 42U**

### Standards and Compliances:



**ISO 9001**  
Quality Management System

EN 61587-1  
Mechanical Structures for  
Electronic Equipment

EN IEC 60297, 19" Mounting  
EN IEC 60917 Overall Cabinet  
Dimensions

EN/IEC 60529 - IP20 Ingress Protection  
performance

EN/IEC 62262 - IK07 Mechanical  
Impact Resistance

EIA/ ECA-310 (D/E) 19" 482,6 mm  
and U 44,45 mm Height Sizing



**CE conform to**  
EN 60950-1  
Information Technology  
Equipment, Safety,  
Part-1: General Requirement

EN IEC 62368-1 Audio/Video, Information  
and Communication Technology Equipment  
Part 1: Safety requirements



**UL listed to**  
UL 2416, Outline of Investigation for  
Audio/Video, Information and  
Communication Technology Equipment  
Cabinet, Enclosure and Rack  
Systems; UL 60950-1 and CSA C22.2  
NO. 60950-1-07, Information Technology  
Equipment Safety  
Part 1: General Requirements



**Environment Friendly;**  
ISO 14001 Environmental  
Management System  
RoHS compliancy  
%100 Recyclable Material



**ISO 45001**  
The Occupational Health and Safety  
Management System

### Standard Color:



RAL 7035 Light Grey



RAL 9005 Black



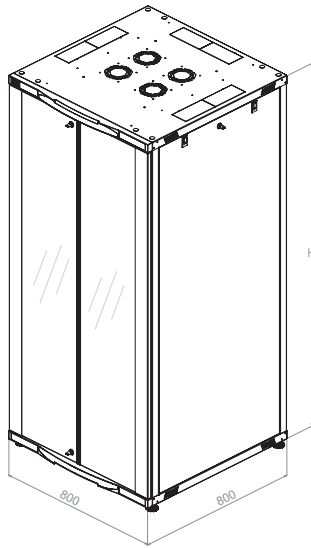
CK-Line Free Standing Cabinets, with 19" w:800 mm and d:800 mm physical sizes, with max internal usable depth, and 3 different height, gives a wide selection chart for users.

# 19" CK-Line

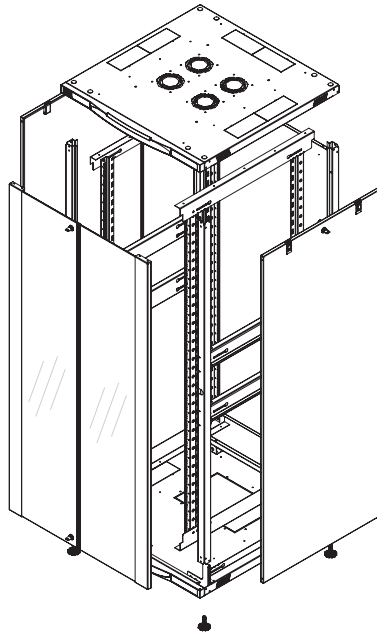
## Free Standing Cabinets

**Width: 800 mm**  
**Depth: 800 mm**

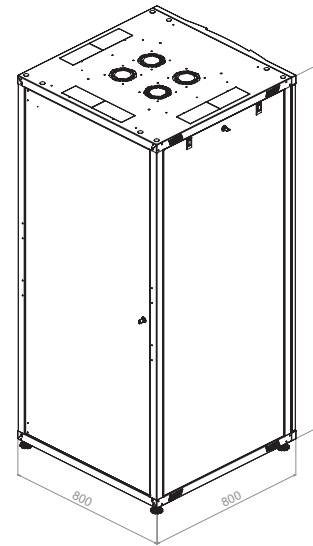
### Construction Drawings



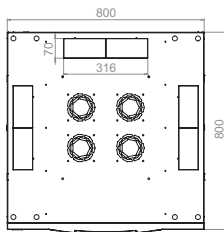
Front view



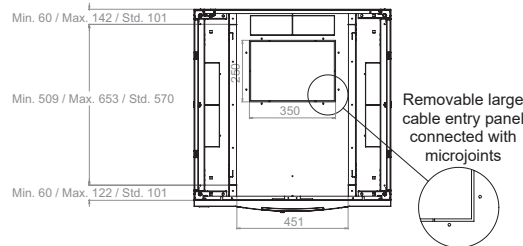
Exploded view



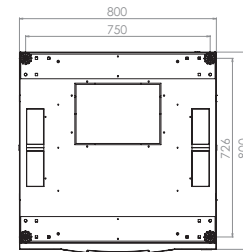
Rear view



Top view



Max/std/min equipment mounting distance



Bottom view

#### 19" CK-Line Free Standing Cabinets W=800 mm D=800 mm

Product Number*	Product Description	Size WxDxH mm	h Size in U	h in mm	Packing Dimensions WxDxH mm	Weight of Product kgs
LN-CK32U8080-CC	32U 19" Free Standing Cabinets W=800 mm D=800 mm with LCD Thermometer	800x800x1536	32U	1422	880x880x1676	90
LN-CK36U8080-CC	36U 19" Free Standing Cabinets W=800 mm D=800 mm with LCD Thermometer	800x800x1713	36U	1600	880x880x1854	101
LN-CK42U8080-CC	42U 19" Free Standing Cabinets W=800 mm D=800 mm with LCD Thermometer	800x800x1980	42U	1867	880x880x2120	118
LN-KDG-ORG-32EU-CC	32U Metal Cable Management Panel Set Left/Right Accessory	97x97x1440	32U	1422	130x190x1450	7
LN-KDG-ORG-36EU-CC	36U Metal Cable Management Panel Set Left/Right Accessory	97x97x1620	36U	1600	130x190x1650	8
LN-KDG-ORG-42EU-CC	42U Metal Cable Management Panel Set Left/Right Accessory	97x97x1885	42U	1867	130x190x1950	10

\*CC= Color Code, LG Light Grey RAL 7035, BL Black RAL 9005, customers to define while ordering, product is with Glass Front door with Handled Lock, Rear Solid Metal Hinged Door style with "O" type Barrel Lock.

# 19" CK-Line

## Free Standing Cabinets

Width: 800 mm  
Depth: 1000 mm

**Load Capacity: 600 kg.**

**U Height 42U**

### Standards and Compliances:



**ISO 9001**  
**Quality Management System**

EN 61587-1  
Mechanical Structures for  
Electronic Equipment

EN IEC 60297, 19" Mounting  
EN IEC 60917 Overall Cabinet  
Dimensions

EN/IEC 60529 - IP20 Ingress Protection  
performance

EN/IEC 62262 - IK07 Mechanical  
Impact Resistance

EIA/ ECA-310 (D/E) 19" 482,6 mm  
and U 44,45 mm Height Sizing



**CE conform to**  
EN 60950-1  
Information Technology  
Equipment, Safety,  
Part-1: General Requirement

EN IEC 62368-1 Audio/Video, Information  
and Communication Technology Equipment  
Part 1: Safety requirements



**UL listed to**  
UL 2416, Outline of Investigation for  
Audio/Video, Information and  
Communication Technology Equipment  
Cabinet, Enclosure and Rack  
Systems; UL 60950-1 and CSA C22.2  
NO. 60950-1-07, Information Technology  
Equipment Safety  
Part 1: General Requirements



**Environment Friendly;**  
ISO 14001 Environmental  
Management System  
RoHS compliancy  
%100 Recyclable Material



**ISO 45001**  
**The Occupational Health and Safety  
Management System**

### Standard Color:



RAL 7035 Light Grey



RAL 9005 Black



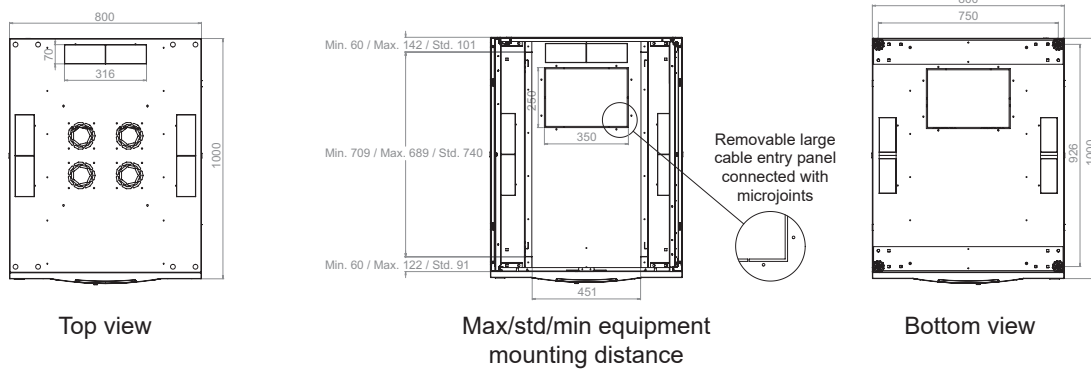
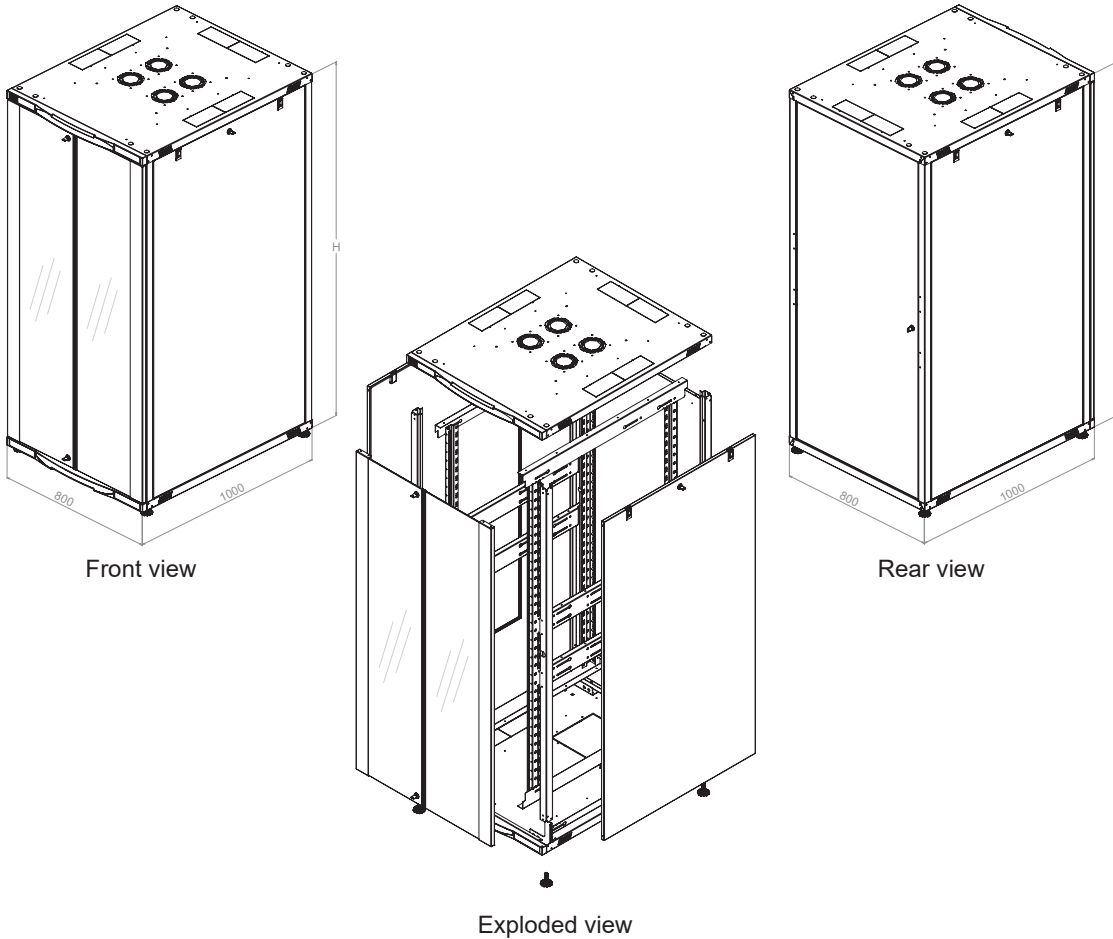
CK-Line Free Standing Cabinets, with 19" w:800 mm and d:1000 mm physical size, with max internal usable depth, and 42U available height offered in standard.

# 19" CK-Line

## Free Standing Cabinets

**Width: 800 mm**  
**Depth: 1000 mm**

### Construction Drawings



19" CK-Line Free Standing Cabinets W=800 mm D=1000 mm							
Product Number*	Product Description	Size WxDxH mm	h Size in U	h in mm	Packing Dimensions WxDxH mm	Weight of Product kgs	
LN-CK42U8010-CC	42U 19" Free Standing Cabinets W=800 mm D=1000 mm with LCD Thermometer	800x1000x1980	42U	1867	880x1080x2120	134	
LN-KDG-ORG-42EU-CC	42U Metal Cable Management Panel Set Left/Right Accessory	97x97x1885	42U	1867	130X190X1950	10	

\*CC= Color Code, LG Light Grey RAL 7035, BL Black RAL 9005, customers to define while ordering, product is with Glass Front door with Handled Lock, Rear Solid Metal Hinged Door style with "O" type Barrel Lock.

# 19" CK-Line

## Free Standing Server Cabinets

**W=600 mm D=1000 mm and W=800 mm D=1000mm**  
**CK-Line Server Cabinets**

CK-Line Server Cabinets are carrying the same constructional features, additionally carrying a better environment for the server and storage equipments within the perforated front and rear doors.

CK-Line Server Cabinets, provide maximum optimization resulted to an optimum performance in between quality and added value.

While product gives maximum performance on servering and storage infrastructure, in parallel provides a very valuable economy compared to its quality which is based on high technologic fully automated industry.

The 600 series is available in 5 heights, as 22U, 26U, 32U, 36U and 42U, with 1000 mm depth.

Each cabinet is supplied as standard with a %63 perforated single piece monoblock front and rear door, and lift off steel side panels, all of which are lockable.

CK-Line Server Cabinets have a professional technical but aesthetic look with decorative %63 perforated honey comb pattern. The product range attracts the attention with the mostly environmentally fit and selected color of RAL 9005 Black, and RAL 7035 Light Grey, with fine wrinkle soft touch paint.

The product range is for with 1000 mm depth versions, usage in private / low density server and storage applications.

Completely standard and stocked product portfolio, being delivered a single piece assembled product, as shipping configuration the adjustable feet group is included.

CK-Line server product range with optimal panel mounting size, and a variety range of accesorries enclose the whole expectation of users.



**W600 x D1000 mm**



**W800 x D1000 mm**

# 19" CK-Line

## Free Standing Server Cabinets

Width: 600 mm  
Depth: 1000 mm

**Load Capacity: 600 kg.**

**U Height: 22U, 26U, 32U, 36U, 42U**

### Standards and Compliances:



#### ISO 9001 Quality Management System

EN 61587-1  
Mechanical Structures for  
Electronic Equipment

EN IEC 60297, 19" Mounting  
EN IEC 60917 Overall Cabinet  
Dimensions

EN/IEC 60529 - IP20 Ingress Protection  
performance

EN/IEC 62262 - IK07 Mechanical  
Impact Resistance

EIA/ ECA-310 (D/E) 19" 482,6 mm  
and U 44,45 mm Height Sizing



**CE conform to**  
EN 60950-1  
Information Technology  
Equipment, Safety,  
Part-1: General Requirement

EN IEC 62368-1 Audio/Video, Information  
and Communication Technology Equipment  
Part 1: Safety requirements



**UL listed to**  
UL 2416, Outline of Investigation for  
Audio/Video, Information and  
Communication Technology Equipment  
Cabinet, Enclosure and Rack  
Systems; UL 60950-1 and CSA C22.2  
NO. 60950-1-07, Information Technology  
Equipment Safety  
Part 1: General Requirements



**Environment Friendly;**  
ISO 14001 Environmental  
Management System  
RoHS compliancy  
%100 Recyclable Material



**ISO 45001**  
**The Occupational Health and Safety  
Management System**

### Standard Color:



RAL 7035 Light Grey



RAL 9005 Black



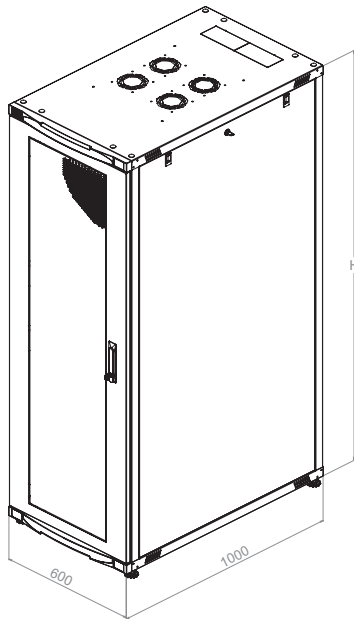
CK-Line Server Cabinets, with 19" w:600 mm and d:1000 mm physical sizes, with max internal usable depth, and 5 different height, gives a wide selection chart for users.

# 19" CK-Line

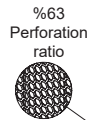
## Free Standing Server Cabinets

### Construction Drawings

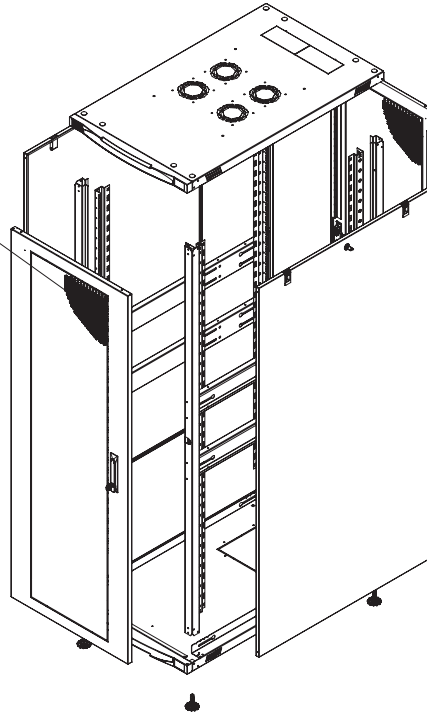
**Width: 600 mm**  
**Depth: 1000 mm**



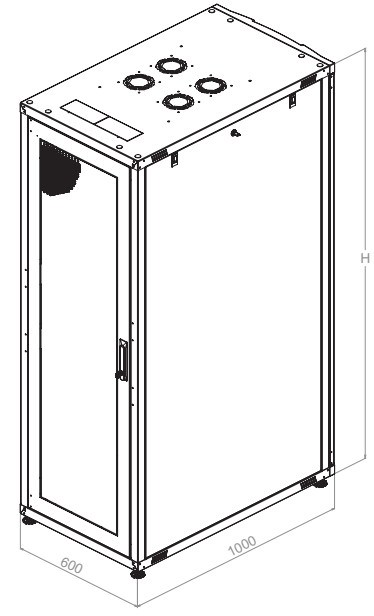
Front view



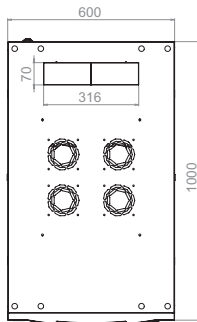
%63  
Perforation  
ratio



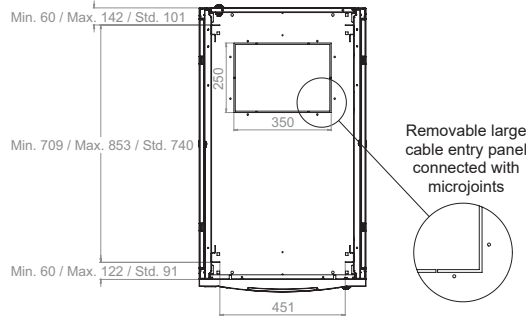
Exploded view



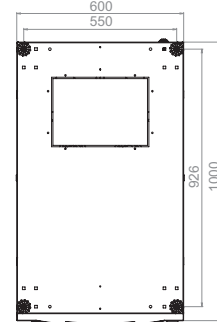
Rear view



Top view



Max/std/min equipment  
mounting distance



Bottom view

#### 19" CK-Line Free Standing CS Model Server Cabinets W=600 mm D=1000 mm

Product Number*	Product Description	Size WxDxH mm	h Size in U	h in mm	Packing Dimensions WxDxH mm	Weight of Product kgs
LN-CS22U6010-CC	22U 19" Free Standing Cabinets W=600 mm D=1000 mm with LCD thermometer	600x1000x1091	22U	978	680x1080x2505	62
LN-CS26U6010-CC	26U 19" Free Standing Cabinets W=600 mm D=1000 mm with LCD thermometer	600x1000x1269	26U	1155	680x1080x1455	71
LN-CS32U6010-CC	32U 19" Free Standing Cabinets W=600 mm D=1000 mm with LCD thermometer	600x1000x1536	32U	1422	680x1080x1720	86
LN-CS36U6010-CC	36U 19" Free Standing Cabinets W=600 mm D=1000 mm with LCD thermometer	600x1000x1713	36U	1600	680x1080x1900	96
LN-CS42U6010-CC	42U 19" Free Standing Cabinets W=600 mm D=1000 mm with LCD thermometer	600x1000x1980	42U	1867	680x1080x2160	112

\*\* CC= Color Code, LG Light Grey RAL 7035, BL Black RAL 9005, customers to define while ordering, product is %63 perforated handled locking solid metal single opening front and rear door.

# 19" CK-Line

## Free Standing Server Cabinets

Width: 800 mm  
Depth: 1000 mm

**Load Capacity: 600 kg.**

**U Height: 42U**

### Standards and Compliances:



**ISO 9001**  
Quality Management System

EN 61587-1  
Mechanical Structures for  
Electronic Equipment

EN IEC 60297, 19" Mounting  
EN IEC 60917 Overall Cabinet  
Dimensions

EN/IEC 60529 - IP20 Ingress Protection  
performance

EN/IEC 62262 - IK07 Mechanical  
Impact Resistance

EIA/ ECA-310 (D/E) 19" 482,6 mm  
and U 44,45 mm Height Sizing



**CE conform to**  
EN 60950-1  
Information Technology  
Equipment, Safety,  
Part-1: General Requirement

EN IEC 62368-1 Audio/Video, Information  
and Communication Technology Equipment  
Part 1: Safety requirements



**UL listed to**  
UL 2416, Outline of Investigation for  
Audio/Video, Information and  
Communication Technology Equipment  
Cabinet, Enclosure and Rack  
Systems; UL 60950-1 and CSA C22.2  
NO. 60950-1-07, Information Technology  
Equipment Safety  
Part 1: General Requirements



**Environment Friendly;**  
ISO 14001 Environmental  
Management System  
RoHS compliancy  
%100 Recyclable Material



**ISO 45001**  
The Occupational Health and Safety  
Management System

### Standard Color:



RAL 7035 Light Grey



RAL 9005 Black



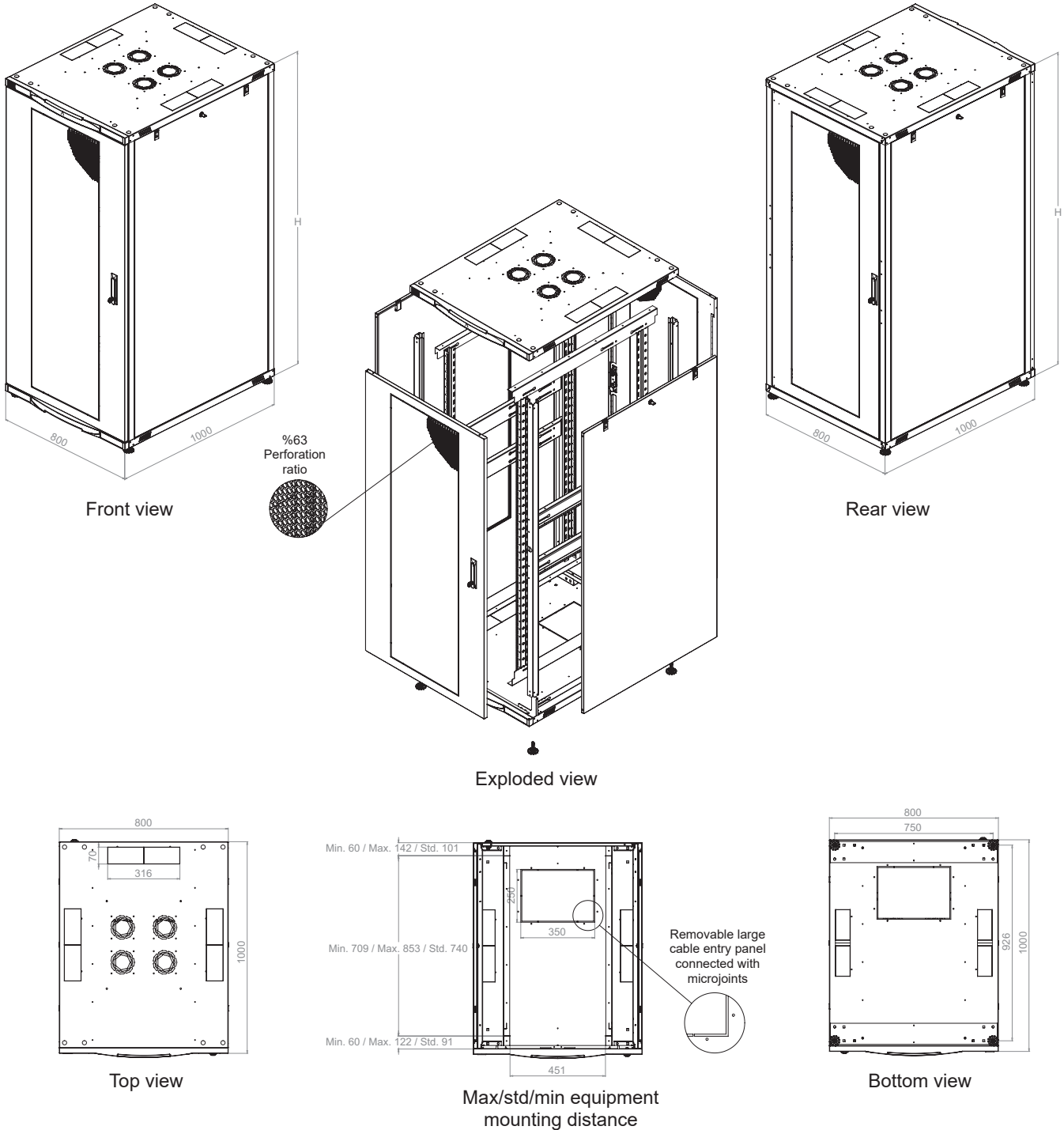
CK-Line Server Cabinet, with 19" w:800 mm and d:1000 mm physical size, with max internal usable depth and 42U available height offered in standard.

# 19" CK-Line

## Free Standing Server Cabinets

Width: 800 mm  
Depth: 1000 mm

### Construction Drawings



#### 19" CK-Line Free Standing CS Model Server Cabinets W=800 mm D=1000 mm

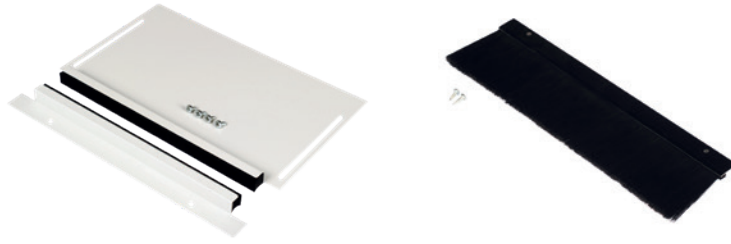
Product Number*	Product Description	Size WxDxH mm	h Size in U	h in mm	Packing Dimensions WxDxH mm	Weight of Product kgs
LN-CS42U8010-CC	42U 19" Free Standing Cabinets W=800 mm D=1000 mm with LCD thermometer	800x1000x1980	42U	1867	880x1080x2120	142
LN-KDG-ORG-42EU-CC	42U Metal Cable Management Panel Set Left/Right Accessory	97x97x1885	42U	1867	130X190X1950	10

\*\* CC= Color Code, LG Light Grey RAL 7035, BL Black RAL 9005, customers to define while ordering, product is %63 perforated handled locking solid metal single opening front and rear door.

# 19" CK-Line

## Free Standing Server Cabinets

### Specific Accessories



#### Cable Entry Module Rubber Edged Sliding Mechanism and Brush

Product Number*	Product Description	PACKING DIMENSIONS WXDXH mm	Weight of Product kgs
LN-DGR-CME-CC	Sliding cable entry panel, with rubber edged mechanism	350x400x20	1
LN-DGR-CMB-BL	Brushed cable entry panel	60x500x15	0,1

\* All CK-Line cabinets are supplied with knock-out micro joint bottom cable entry plate, incase needed an accessory as cable entry module rubber edged with sliding mechanism can be ordered- LN-DGR-CME-CC.

\*\* CK-Line cabinets are supplied with Plastic Dummy Panels on the Cable Entry Point, incase needed an accessory as cable entry brushes can be ordered, LN-DGR-DMB-BL.

\*\*\* CC= Color Code, LG Light Grey RAL 7035, BL Black RAL 9005, customers to define while ordering.



#### Vertical Cable Managers

Product Number*	Product Description	Size WXDXH mm	PACKING DIMENSIONS WXDXH mm	Weight of Product kgs
LN-KDG-ORG-32EU-CC	32U metal cable management panel set left/right	97x97x1440	130x190x1450	8
LN-KDG-ORG-36EU-CC	36U metal cable management panel set left/right	97x97x1620	130x190x1650	10
LN-KDG-ORG-42EU-CC	42U metal cable management panel set left/right	97x97x1885	130x190x1950	12

\*\* CC= Color Code, LG Light Grey RAL 7035, BL Black RAL 9005, customers to define while ordering.



#### Castor Group, with Support Bar

Product Number*	Product Description	PACKING DIMENSIONS WXDXH mm	Weight of Product kgs
LN-ZMN-TKR-5525-XX	Free Standing Caster Set, 1 set=4 pcs, 2w/break, 2wo/break	560x425x122	2,2

# 19" CK-Line Free Standing Cabinets

## Our Recommended Products

### Environmental Monitoring and Management System



A full range of Environmental Management System modules are available, standalone or Networked to allow local or remote monitoring which allows Administrators to effectively manage your valuable assets, options for Camera's, Smoke sensors, Temperature and Humidity sensors, Moisture Sensors, and access sensors.

Advantages, Remote monitoring of multiple sites, High security and internal audit capability, Corrective and preventive actions, Instant and retrospective reporting and analysis.

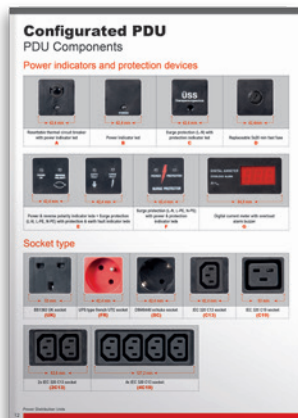
### Access Control Systems



A full of Access Control and Locking systems available for to whole Lande range, from round key locked single point, swing lock three-point locking, combination locks, Keypad locking, RFID Card reader locking, Finger print readers and Retina (Eye) Reader Locking.

If integrated with Lande EMS systems, remote monitor locking can be achieved.

### Power Distribution Unit



A complete range of Power Distribution Units are available from Basic economical units or full remote monitoring intelligent Units, IEC320 C13, BS 3pin UK type, DIN 49440 Schuko, 16A Breaker and Surge protection, 19" Horizontal and Vertical units either basic on/off switch to intelligent units with built in network point to allow multiple remote monitoring of various sites are available.



## CONTACT DETAILS

### Headquarters

**Address:**

Merve Mah. Gazi Cad. No: 17 **Phone:** +90 216 312 26 53  
Sancaktepe - İstanbul / TURKEY **Fax** : +90 216 312 09 09

### Factory

**Address:**

20. Cadde No: 14 Eskişehir **Phone:** +90 222 236 24 66 pbx  
Organize San. Bölge. 26110 **Fax** : +90 222 236 13 53  
Eskişehir / TURKEY

[www.lande.com.tr](http://www.lande.com.tr) | [sales@lande.com.tr](mailto:sales@lande.com.tr)

