

# ME8 IR DuraBullet

Rugged 8MP IR bullet camera with built-in video intelligence and HDR technology



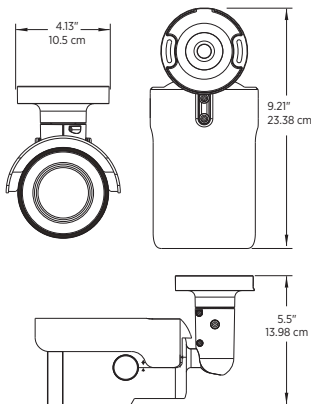
The "Stopped Vehicle" analytic triggers an alert when a vehicle pulls into a parking space for curbside pickup.



ONVIF | SGT

The **ME8 IR DuraBullet** from March Networks® delivers high image quality, combined with built-in IR illumination, allowing you to discern objects in the dark from over 40 meters (131 ft) away. The housing is weather-resistant and vandal-proof, rated for severe outdoor conditions and extreme temperatures.

Incorporating advanced system-on-chip (SoC) technology from Ambarella®, the camera features a set of powerful video analytics, including License Plate Recognition (LPR), tripwire, intrusion detection, loitering detection, and abandoned object. Video analytics enable organizations to enhance security in both public and private spaces by detecting perimeter or area breaches, unattended objects, and atypical activity more rapidly and consistently.



## Key Benefits

### ▼ Built-In Video Intelligence

- **Abandoned Object** - an alarm is triggered if an object remains in one spot for too long.
- **Loitering Detection** - an alarm is triggered when people remain in an area for too long.
- **Tripwire** - an alarm is triggered when a person or object crosses the defined line.
- **Stopped Vehicle** - an alarm is triggered when a vehicle remains in an area for too long.
- **Intrusion Detection** - an alarm is triggered when people or vehicles enter a specific area.
- **Object Removal** - an alarm is triggered if an object is removed from an area.
- **License Plate Recognition** - detect and capture license plates to be used with Searchlight application.

- ▼ **4K resolution.** The camera delivers crystal-clear 4K images, with more pixels on target for faster and easier identification of people and objects.

- ▼ **Enhanced for Curbside pickup.** Using the stopped vehicle analytic, the camera can identify vehicles who pull into a parking space. The camera can alert the store staff of the presence and decrease waiting times for customers.

- ▼ **"Region of interest" encoding.** Identify parts of the scene as low or high importance, then adjust the compression levels within those zones, to save on storage.

- ▼ **Digital Overlap High Dynamic Range (DOL-HDR).** The camera blends the best parts of three separate exposures together to combine the most focused, well-lit, and colorful parts of the scene.

*Thanks to embedded AI training, the camera is able to make intelligent decisions to recognize people and cars.*

# ME8 IR DuraBullet




| CAMERA                   |   |
|--------------------------|---|
| Image Sensor             | 1/1.8" Progressive CMOS   |
| Effective Pixels         | 8MP; 3840 (H) x 2160 (V)  |
| Lens                     | 3.6 – 11mm, motorized, F1.5, P-Iris   |
| Field of View            | 115° H x 61.2° V (wide); 47.5° H x 27.0° V (tele)   |
| High Dynamic Range (HDR) | 120 dB  |
| Day/Night                | Automatic IR cut filter   |
| Minimum Illumination     | Color: 0.04 lux; B/W: 0.002 lux; IR On: 0.0 lux   |
| Shutter Speed            | 1 to 1/500s   |
| Camera Angle Adjustment  | Pan 360°, Tilt 180°, Rotation -100° to 100°   |
| Pan/Tilt/Zoom            | 3X Optical zoom, Digital PTZ via Command  |
| White Balance            | Manual/Automatic  |
| IR Wavelength            | 850nm   |
| IR Illumination Distance | 40 m (131 ft)   |
| VIDEO                    |   |
| Video Compression        | H.265, H.264, MJPEG   |
| Resolution               | 8MP (3840x2160), 6MP (3328x1872), 5MP (3072x1728), 4MP (2688x1512), 3MP (2432x1368), 2MP 1080p (1920x1080), 1MP 720p (1280x720), XGA, SVGA, D1, VGA, CIF  |
| Frame Rate               | Up to 30fps @ 8MP; Up to 60fps @ 2MP (with Shutter WDR Off)   |
| Streaming                | Up to 4 individually configurable streams in H.265/H.264/MJPEG<br>Configurable resolution/frame rate/bandwidth; LBR/VBR/CBR bitrate modes available   |
| Image Settings           | Iris control, backlight compensation, white balance, noise reduction, wide dynamic range, privacy mask, brightness, exposure, sharpness, contrast, saturation, hue, IR configuration, day/night threshold |
| AUDIO                    |   |
| Audio Streaming          | Full Duplex   |
| Audio Compression        | G.711 PCM   |
| Audio Input/Output       | Line in/line out  |
| NETWORK                  |   |
| Security                 | Password protection, HTTPS encryption (configuration only), IEEE 802.1X   |
| Supported Protocols      | IPv4/v6, TCP/IP, UDP, RTP, RTSP, HTTP, HTTPS, DHCP, PPPoE, QoS, ONVIF-S/G/T, SNMPv1/v2/v3   |
| SYSTEM INTEGRATION       |   |
| Video intelligence       | Video motion detection, license plate recognition, active video tampering, abandoned object, loitering detection, tripwire, intrusion detection, object removal, stopped vehicle                          |
| Alarm Trigger            | Video analytics, external input   |
| Alarm Events             | Video recording to local storage, external output activation  |
| ELECTRICAL               |   |
| Power                    | 12 Vdc 1.37 A; 24 Vac 50/60 Hz 1.06 A; 48 Vdc 0.27 A (PoE 802.3af, Class O)   |
| Power Consumption        | 12 Vdc max. 15.59 W; 24 Vdc max. 13.31 W; PoE max. 12.95 W  |
| PHYSICAL                 |   |
| Construction             | Metal housing   |
| Dimensions (L x W x H)   | 234 x 105 x 140 mm (9.2 x 4.13 x 5.5 in)  |
| Weight                   | 1.28 kg (2.82 lb)   |

| ENVIRONMENTAL             |                                      |
|---------------------------|--------------------------------------|
| Operating Temperature     | -55 °C to +55 °C (-67 °F to +131 °F) |
| Humidity                  | 10-90% RH, non-condensing            |
| Ingress Protection Rating | IP66                                 |
| Impact Rating             | IK10                                 |

| USER CONNECTIONS |                             |
|------------------|-----------------------------|
| Alarm            | 1 x Alarm In, 1 x Relay Out |
| Audio            | 1 x Audio In, 1 x Audio Out |
| Ethernet         | RJ45 10/100 Base-T          |
| Analog Video     | 1 x Output                  |
| Power            | 2-pin Terminal              |

| GENERAL              |  |
|----------------------|--|
| Local Storage        | MicroSD/MicroSDHC/MicroSDXC memory card up to 1TB (not included) |
| LED Indicator        | Power, Activity  |
| Included Accessories | Quick Start Guide; mounting template; mounting hardware          |

| REGULATORY         |   |
|--------------------|---|
| Regulatory Model   | C4002A  |
| Safety             | UL 62368-1, CSA 62368-1, IEC/EN 62368-1   |
| EMC                | EN 55032, EN61000-3-2, EN61000-3-3, FCC Part 15 Subpart B, ICES-003, CISPR 32, AS/ NZS CISPR 32, EN 50130-4 |
| Environmental      | RoHS, WEEE  |
| Compliance Marking | CE, cULus, RCM, WEEE, UKCA, NOM   |

| MOUNTING OPTIONS  |   |   |
|---|---|---|
|  |  |  |
| Surface Mount (out-of-box)  | Wall Mount Back Box   | Pole Adaptor Back Box   |

| ORDERING INFORMATION |                       |
|----------------------|-----------------------|
| <b>CAMERA</b>        |                       |
| 39533-101            | ME8 IR DuraBullet     |
| <b>ACCESSORIES</b>   |                       |
| 33227                | Wall Mount Back Box   |
| 33226                | Pole Adaptor Back Box |

| 5-year warranty:   |  |
|--|--|
| • Option for Advance Replacement or Repair & Return.                               |  |
| • No need to issue a PO prior to receiving the replacement.                        |  |
| • March Networks incurs all shipping costs — both ways — for Advance Replacements. |  |

North America ..... 1 800 563 5564  
 Latin America ..... +5255 5259 9511  
 Europe ..... +39 0362 17935  
 Asia ..... +65 6818 0963  
 Australia and New Zealand ..... +61 1300 089 419  
 Middle East and Africa ..... +971 4 399 5525

© 2024 March Networks. All rights reserved. Information in this document is subject to change without notice. MARCH NETWORKS, March Networks Command, March Networks Searchlight, March Networks RideSafe, and the MARCH NETWORKS logo are trademarks of March Networks Corporation. All other trademarks are the property of their respective owners. 060-3470-00-C [marchnetworks.com](http://marchnetworks.com)

