

WATER-COOLED INDOOR



33WC
4000 BTU/Hr.
1172 Watt

INDUSTRY STANDARDS

UL/cUL Listed; Type 12; File No. SA6453 UR/cUR Recognized
--

UR/cUR Recognized on select models, reference performance data tables.
CE
GOST

APPLICATION

- Industrial automation
- Package handling equipment
- Food and beverage
- Wastewater treatment
- Security and defense systems
- Pulp and paper
- And more

FEATURES

- Robust reciprocating compressor
- R134a earth-friendly refrigerant
- Models for 115 VAC, 230 VAC and 460 V 1-phase power input
- UL Listed or Recognized to save customers time and money with agency approvals
- Operating temperature range from 50 F/10 C to 125 F/52 C
- Attractive industrial design with minimal use of visible fasteners
- Reliable mechanical thermostat located behind the front panel of the unit
- Low-carbon mild-steel sheet-metal cover for rugged factory and outdoor environments
- Easy-mount flanges for simple installation
- Mounting hardware, gaskets and user manual furnished with the unit
- Every unit functionally tested before shipping
- Heat is removed from the system by means of the water cooling the refrigerant; no external air movers or condenser coils to get clogged
- Maximum water usage of 2 GPM at 90 F water intake temperature
- Standard Indoor Air Conditioner models also include:
 - Electro-Mechanical Thermostat
 - Surge Suppressor

FINISH

- RAL 7042 gray, semi-gloss powder-coat paint standard
- Stainless steel Type 304 or 316 finishes available on Type 4X models
- Other colors and textures available

OPTIONS

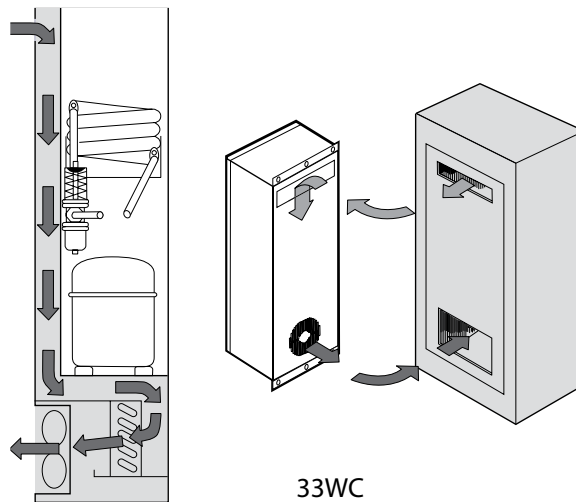
- Thermostat Malfunction Package
- Special Voltage Package
- Active Condensate Evaporator Package
- Harsh Environment Package*
- Stainless Steel Package*
 - * Consult the factory for availability and catalog number.

NOTES

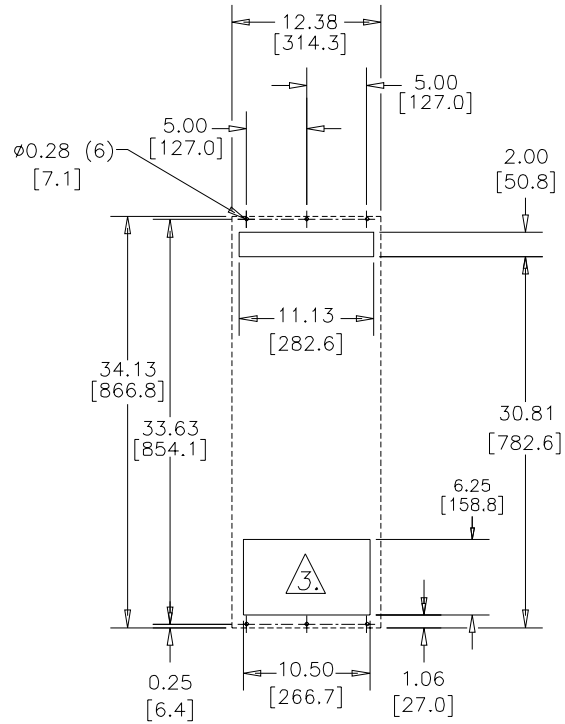
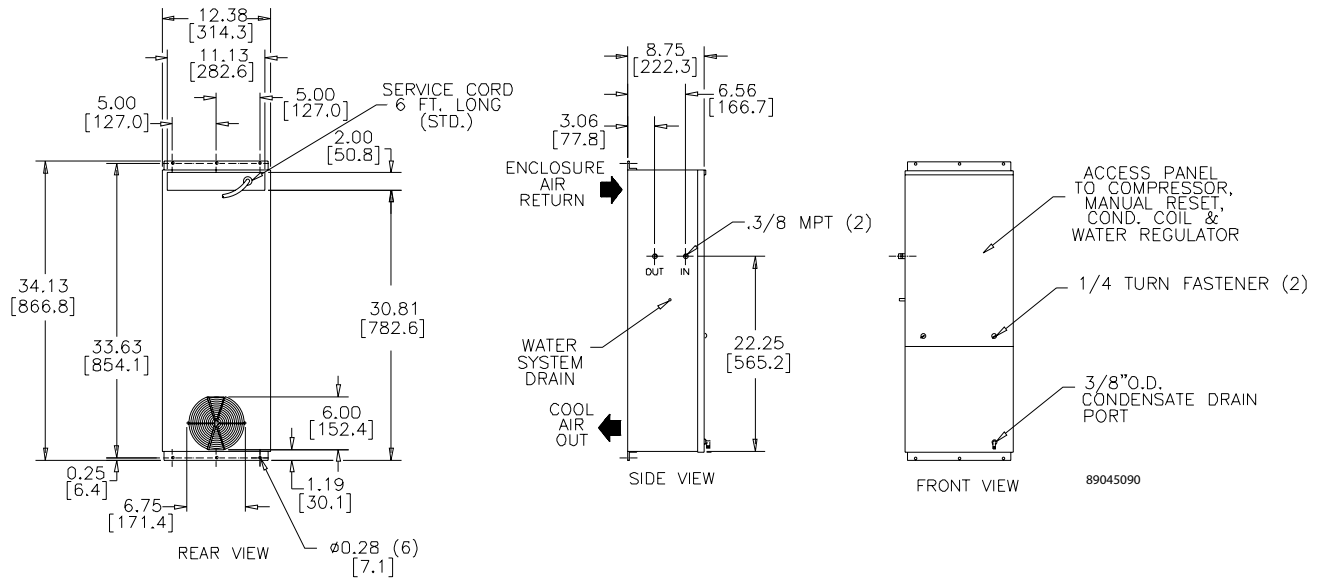
Visit www.HoffmanOnline.com to download 2D and 3D CAD drawings into the overall design of your electronic system.

Performance Data **33WC Models 4000 BTU/Hr. (1172 Watt)**

CATALOG NUMBER			
	330416GW010	330426GW014	330426GW012
COOLING PERFORMANCE			
Nominal:			
BTU/Hr.	3800/4000	3800/4000	3800/4000
Watts	1113/1172	1113/1172	1113/1172
Refrigerant	R-134A	R-134A	R-134A
Refrigerant Charge (ounces/grams)	7/198	7/198	7/198
Operating Temperature Range:			
Maximum (°F/°C)	125/52	125/52	125/52
Minimum (°F/°C)	50/10	50/10	50/10
Airflow at 0 Static Pressure:			
Internal loop 50 Hz (CFM / m ³ /hr.)	135/229	100/170	100/170
External loop 50 Hz	Waterflow: 0.5 GPM @ 90 F	Waterflow: 0.5 GPM @ 90 F	Waterflow: 0.5 GPM @ 90 F
Internal loop 60 Hz (CFM / m ³ /hr.)	145/246	110/187	110/187
External loop 60 Hz	Waterflow: 0.5 GPM @ 90 F	Waterflow: 0.5 GPM @ 90 F	Waterflow: 0.5 GPM @ 90 F
ELECTRICAL DATA			
Rated Voltage	115	220/230	460V 1PH
Frequency (Hz)	50/60	50/60	50/60
Operating Range	+/- 10%	+/- 10%	+/- 10%
Max. Power Consumption [W at 50/60 Hz]	690/667	726/736	828/782
Max. Nominal Current [A at 50/60 Hz]	6.0/5.8	3.3/3.2	1.8/1.7
Starting Current [A]	28	14.4	7.4
Agency Approvals		cUL Listed CE GOST	cUR Recognized CE GOST
Power Input Description	6-ft. cord with NEMA 5-15 plug	6-ft. cord with NEMA 6-15 plug	6-ft. cord with wire leads
ENCLOSURE PROTECTION			
UL Type	Type 12 standard		
CONTROLLER			
Description	Basic mechanical thermostat		
Thermostat Location	Behind front cover		
Factory Thermostat Setting (°F/°C)	80/27		
SOUND LEVEL			
At 1.5 Meters	61 dB(A)		
UNIT CONSTRUCTION			
Material	Mild steel sheet metal standard Stainless steel optional		
Finish	RAL 7042 gray, semi-gloss powder-coat paint standard		
UNIT DIMENSIONS			
Height (in./mm)	34.13/867	38.63/981.2	
Width (in./mm)	12.38/314	12.38/314	
Depth (in./mm)	8.75/222	8.75/222	
Weight (lb./kg)	86/39	106/48	



33WC Models 4000 BTU/Hr. (1172 Watt)



Visit www.HoffmanOnline.com to download 2D and 3D CAD drawings into the overall design of your electronic system.

Notes