

GENESIS™ TOP-MOUNT INDOOR


HB16
8000 BTU/Hr.
2051 Watt



MHB11
2200-4000 BTU/Hr.
645-1172 Watt

INDUSTRY STANDARDS

UL/cUL Listed; Type 12; File No. SA6453
UR/cUR Recognized

Maintains U/cUL Type 12 rating when properly installed on a UL/cUL Type 12 enclosure.
UR/cUR Recognized on select models, reference performance data tables.
CE
GOST

APPLICATION

- Industrial automation
- Package handling equipment
- Security and defense systems
- Ideal for use where there is little or no clearance around the enclosure

FEATURES

- Robust reciprocating compressor
- R134a and R407c earth-friendly refrigerant
- Models for 115, 230 and 460 single-phase VAC power input
- UL Listed or Recognized to save customers time and money with agency approvals
- Operating temperature range from 50 F/10 C to 125 F/52 C
- Attractive industrial design with minimal use of visible fasteners

- Reliable mechanical thermostat located behind the filter of the unit
- Low-carbon mild-steel sheet-metal cover for rugged factory environments
- Cleanable, reusable aluminum mesh filter protects coils for maximum cooling performance
- Mounting hardware, gaskets and user manual furnished with the unit
- Every unit functionally tested before shipping
- Standard Indoor Air Conditioner models also include:
 - Electro-Mechanical Thermostat
 - Surge Suppressor
 - Condensate Management System On MHB11 models

FINISH

- RAL 7042 gray, semi-gloss powder-coat paint standard
- Other colors and textures available

OPTIONS

- Thermostat Malfunction Package
- Special Voltage Package
 - * Consult the factory for availability and catalog number

NOTES

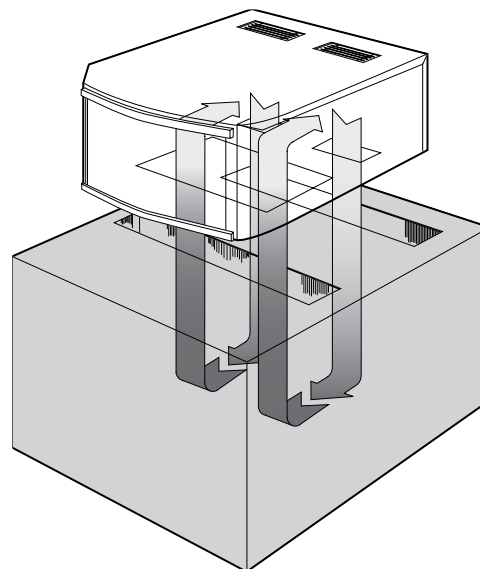
Visit www.HoffmanOnline.com to download 2D and 3D CAD drawings into the overall design of your electronic system.

Performance Data **MHB11 Models 2200 BTU/Hr. (645 Watt)**

| CATALOG NUMBER | | | |
|---|---|--------------------------------|------------------------------|
| | MHB110216G306 | MHB110226G306 | MHB110246G400 |
| COOLING PERFORMANCE | | | |
| Nominal: | | | |
| BTU/Hr. | 2200/2200 | 2200/2200 | 2200/2200 |
| Watts | 645/645 | 645/645 | 645/645 |
| Refrigerant | R-134A | R-134A | R-134A |
| Refrigerant Charge (ounces/grams) | 11/312 | 11/312 | 11/312 |
| Operating Temperature Range: | | | |
| Maximum (°F/°C) | 125/52 | 125/52 | 125/52 |
| Minimum (°F/°C) | 50/10 | 50/10 | 50/10 |
| Airflow at 0 Static Pressure: | | | |
| Internal loop 50 Hz (CFM / m ³ /hr.) | 158/268 | 170/289 | 170/289 |
| External loop 50 Hz (CFM / m ³ /hr.) | 222/377 | 218/370 | 218/370 |
| Internal loop 60 Hz (CFM / m ³ /hr.) | 177/301 | 192/326 | 192/326 |
| External loop 60 Hz (CFM / m ³ /hr.) | 252/428 | 245/416 | 245/416 |
| ELECTRICAL DATA | | | |
| Rated Voltage | 115 | 220/230 | 440/460V 1PH |
| Frequency (Hz) | 50/60 | 50/60 | 50/60 |
| Operating Range | +/- 10% | +/- 10% | +/- 10% |
| Max. Power Consumption (W at 50/60 Hz) | 1127/1035 | 1210/1058 | 1320/1150 |
| Max. Nominal Current (A at 50/60 Hz) | 9.8/9.0 | 5.5/4.6 | 3.0/2.5 |
| Starting Current (A) | 28 | 14.4 | 7.4 |
| Agency Approvals | | cUL Listed CE GOST | cUR Recognized CE GOST |
| | Others available upon request | | |
| Power Input Description | 6-ft. cord with NEMA 5-15 plug | 6-ft. cord with NEMA 6-15 plug | 6-ft. cord with wire leads |
| ENCLOSURE PROTECTION | | | |
| UL Type | Type 12 standard | | |
| CONTROLLER | | | |
| Description | Basic mechanical thermostat | | |
| Thermostat Location | Behind filter | | |
| Factory Thermostat Setting (°F/°C) | 80/27 | | |
| SOUND LEVEL | | | |
| At 1.5 Meters | 62 dB(A) | | |
| UNIT CONSTRUCTION | | | |
| Material | Mild steel sheet metal standard Stainless steel optional | | |
| Finish | RAL 7042 gray, semi-gloss powder-coat paint standard | | |
| UNIT DIMENSIONS | | | |
| Height (in./mm) | 10.25/260 | 10.25/260 | 10.25/260 |
| Width (in./mm) | 17/432 | 17/432 | 17/432 |
| Depth (in./mm) | 21.08/535 | 21.08/535 | 21.08/535 |
| Weight (lb./kg) | 90/41 | 90/41 | 110/50 |

Performance Data **MHB11 Models 4000 BTU/Hr. (1172 Watt)**

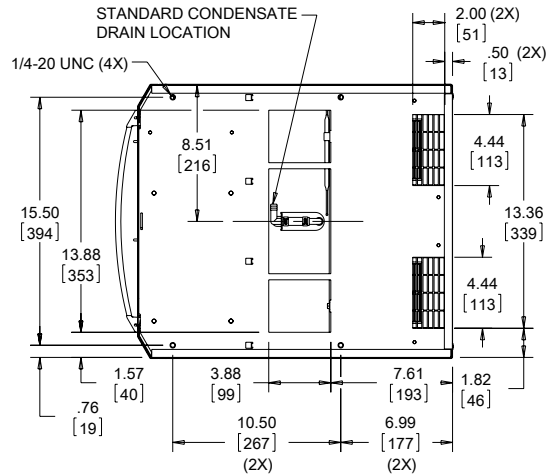
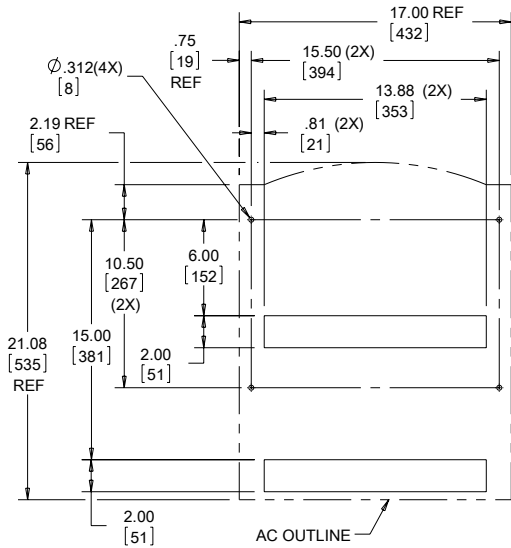
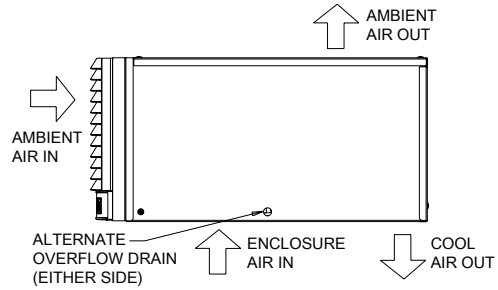
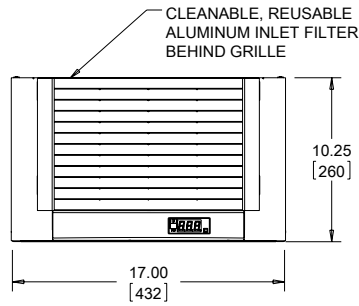
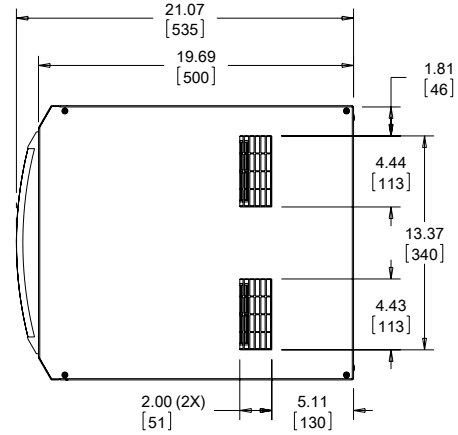
| CATALOG NUMBER | | | |
|---|---|--------------------------------|------------------------------|
| | MHB110416G307 | MHB110426G306 | MHB110446G400 |
| COOLING PERFORMANCE | | | |
| Nominal: | | | |
| BTU/Hr. | 3300/4000 | 3300/4000 | 3300/4000 |
| Watts | 967/1172 | 967/1172 | 967/1172 |
| Refrigerant | R-134A | R-134A | R-134A |
| Refrigerant Charge (ounces/grams) | 13/369 | 13/369 | 13/369 |
| Operating Temperature Range: | | | |
| Maximum (°F/°C) | 125/52 | 125/52 | 125/52 |
| Minimum (°F/°C) | 50/10 | 50/10 | 50/10 |
| Airflow at 0 Static Pressure: | | | |
| Internal loop 50 Hz (CFM / m ³ /hr.) | 158/268 | 170/289 | 170/289 |
| External loop 50 Hz (CFM / m ³ /hr.) | 222/377 | 218/370 | 218/370 |
| Internal loop 60 Hz (CFM / m ³ /hr.) | 177/301 | 192/326 | 192/326 |
| External loop 60 Hz (CFM / m ³ /hr.) | 252/428 | 245/416 | 245/416 |
| ELECTRICAL DATA | | | |
| Rated Voltage | 110/115 | 220/230 | 440/460V 1PH |
| Frequency (Hz) | 50/60 | 50/60 | 50/60 |
| Operating Range | +/- 10% | +/- 10% | +/- 10% |
| Max. Power Consumption (W at 50/60 Hz) | 1617/1564 | 1760/1725 | 1936/1886 |
| Max. Nominal Current (A at 50/60 Hz) | 14.7/13.6 | 8.0/7.5 | 4.4/4.1 |
| Starting Current (A) | 48 | 23 | 12 |
| Agency Approvals | | cUL Listed CE GOST | cUR Recognized CE GOST |
| Others available upon request | | | |
| Power Input Description | 6-ft. cord with NEMA 5-20 plug | 6-ft. cord with NEMA 6-15 plug | 6-ft. cord with wire leads |
| ENCLOSURE PROTECTION | | | |
| UL Type | Type 12 standard | | |
| CONTROLLER | | | |
| Description | Basic mechanical thermostat | | |
| Thermostat Location | Behind filter | | |
| Factory Thermostat Setting (°F/°C) | 80/27 | | |
| SOUND LEVEL | | | |
| At 1.5 Meters | 62 dB(A) | | |
| UNIT CONSTRUCTION | | | |
| Material | Mild steel sheet metal standard Stainless steel optional | | |
| Finish | RAL 7042 gray, semi-gloss powder-coat paint standard | | |
| UNIT DIMENSIONS | | | |
| Height (in./mm) | 10.25/260 | 10.25/260 | 10.25/260 |
| Width (in./mm) | 17/432 | 17/432 | 17/432 |
| Depth (in./mm) | 21.08/535 | 21.08/535 | 21.08/535 |
| Weight (lb./kg) | 108/49 | 108/49 | 128/58 |



Top-Mount to Enclosure

MHB11 Models 2200-4000 BTU/Hr. (645-1172 Watt)

- NOTE:
 1. MOUNTING GASKET SUPPLIED (NOT SHOWN)
 2. UNITS: in. [mm]
 3. CUTOUT DIMENSIONS FOR STANDARD UNITS ONLY



89045044

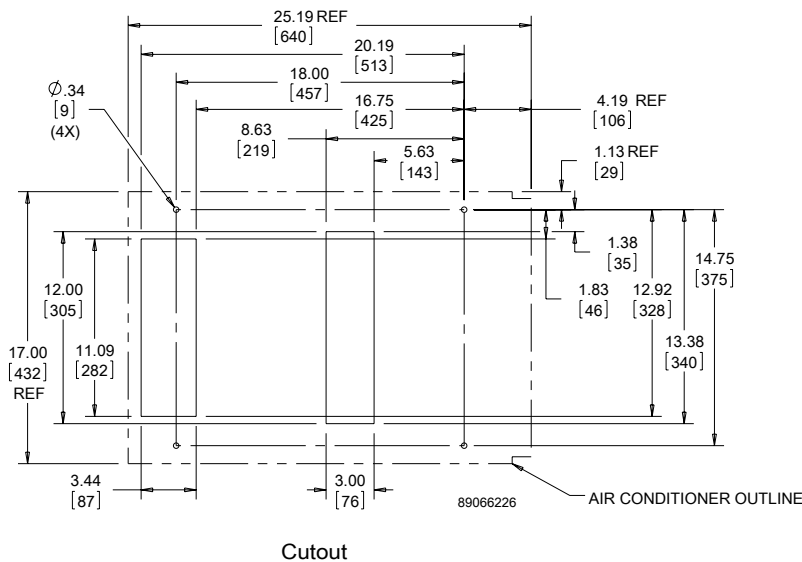
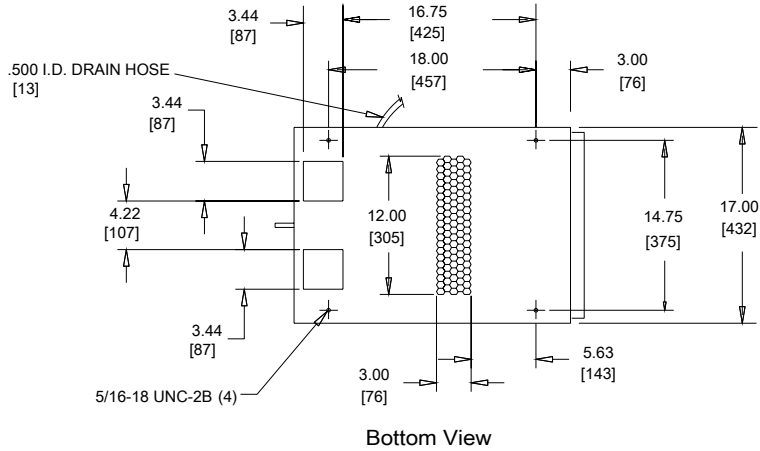
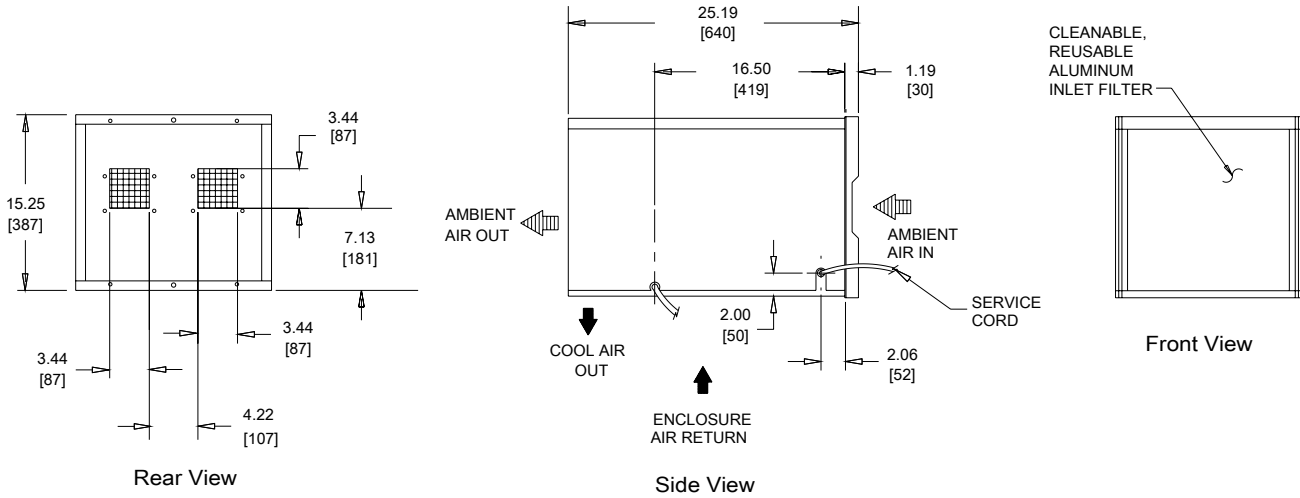
Cutout Dimensions

Visit www.HoffmanOnline.com to download 2D and 3D CAD drawings into the overall design of your electronic system.

Performance Data HB16 Models 8000 BTU/Hr. (2051 Watt)

| MODEL NUMBER | | | |
|--|---|--------------------------------|---------------------------------|
| Indoor Model | HB160816G040 | HB160826G040 | HB160846G040 |
| COOLING PERFORMANCE | | | |
| Nominal: | | | |
| BTU/Hr. | 7000/8000 | 7000/8000 | 7000/8000 |
| Watts | 2051/2344 | 2051/2344 | 2051/2344 |
| At 125 F/125 F (52 C/52 C): | | | |
| BTU/Hr. (50/60 Hz) | 6975/8137 | 7075/8133 | 7075/8133 |
| Watts (50/60 Hz) | 2044/2385 | 2073/2384 | 2073/2384 |
| At 95 F/95 F (35 C/35 C): | | | |
| BTU/Hr. (50/60 Hz) | 6959/8236 | 6958/7774 | 6958/7774 |
| W (50/60 Hz) | 2039/2414 | 2039/2278 | 2039/2278 |
| Refrigerant | R-407C | R-407C | R-407C |
| Refrigerant Charge (ounces/grams) | 24/680 | 24/680 | 24/680 |
| Operating Temperature Range: | | | |
| Maximum (°F/°C) | 125/52 | 125/52 | 125/52 |
| Minimum (°F/°C) | 50/10 | 50/10 | 50/10 |
| ELECTRICAL DATA | | | |
| Rated Voltage | 115 | 230 | 460 |
| Frequency (Hz) | 50/60 | 50/60 | 50/60 |
| Operating Range | +/- 10% | +/- 10% | +/- 10% |
| Max. Power Consumption [W at 50/60 Hz] | 1822/2223 | 1785/2105 | 2162 |
| Max. Nominal Current [A at 50/60 Hz] | 18.7/20.4 | 8.5/9.3 | 4.3/4.7 |
| Starting Current [A] | 67 | 29 | 15 |
| Agency Approvals | | cUL Listed CE GOST | |
| Power Input Description | 6-ft. cord with NEMA 5-20 plug | 6-ft. cord with NEMA 5-20 plug | 6-ft. cord with NEMA L8-20 plug |
| ENCLOSURE PROTECTION | | | |
| UL Type | Type 12 Standard | | |
| CONTROLLER | | | |
| Description | Basic Mechanical Thermostat | | |
| Thermostat Location | Enclosure Side on All Base Models | | |
| Factory Thermostat Setting (°F/°C) | 80/27 | 80/27 | 80/27 |
| UNIT CONSTRUCTION | | | |
| Material | Galvanized Sheet Metal Standard (Optional: Stainless Steel) | | |
| Finish | RAL 7042 gray, semi-gloss powder-coat paint standard Other colors and textures available | | |
| UNIT DIMENSIONS | | | |
| Height (in./mm) | 15.25/387.35 | 15.25/387.35 | 15.25/387.35 |
| Width (in./mm) | 17.00/431.80 | 17.00/431.80 | 17.00/431.80 |
| Depth (in./mm) | 25.19/639.76 | 25.19/639.76 | 25.19/639.76 |
| Weight (lb./kg) | 145.00/69.78 | 145.00/69.78 | 170.00/77.00 |

HB16 Models 8000 BTUs/Hr. (2051 Watts)



Visit www.HoffmanOnline.com to download 2D and 3D CAD drawings into the overall design of your electronic system.