

# Pull-Out CHARGING SHELF with 10 Slots



# Pull-Out CHARGING SHELF with 10 Slots

**Lande Charging Shelf** is a secure storage for charging IT devices such as laptops, tablets, kindle books and also mobile phones; mostly for universities and schools. Product gives adequate storage space and cable management possibilities for chargers. It can be mounted in every 19" rack.

## Features:

- Removable sliding shelf with 10 charging slots for laptops, tablets and mobile phones.
- Compatible for every 19" rack cabinet.
- Equipped with sturdy steel partitions with a diameter of 8mm.
- Equipped with 10 pieces front holes of 17mm for charger cable passage.
- Includes metal cable organiser below.
- Sliding brackets allow the removal of the shelf.
- Dimensions: 483 x 222 x 370 mm (whd)
- Available in RAL9005 Black or RAL7035 Light Grey colors.

## Standards and Compliance:

- ISO 9001
- Climatic and Environment: EN 61587-1/4.2, IEC 60068-2-1 IEC 60068-2-2, IEC 60068-2-30,
- Static Mechanical Load Lifting: EN 61587-1/5.2.1
- Static Mechanical Load Stiffness: EN 61587-1/5.2.2
- Dynamic Mechanical Load Vibration and Shock, Impact: EN 61587-1/5.3.1, EN 61587-1/5.3.3, IEC 60068-2-6, IEC60068-2-27
- Earth Bond: EN 61587-1/6.2
- Flammability: EN 61587-1/6.3
- Degrees of Protection Provided By Enclosures (IpCode): IP20, EN 61587-1/6.4

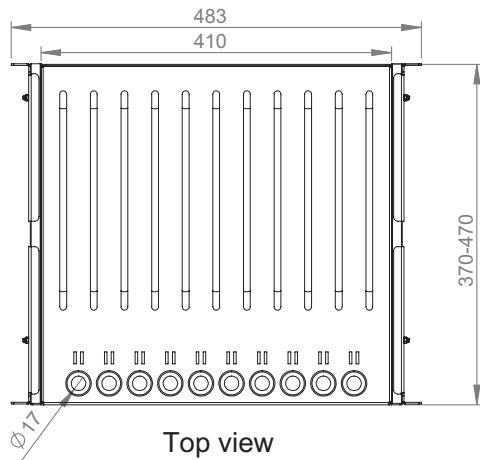


RAL 7035 Light Grey

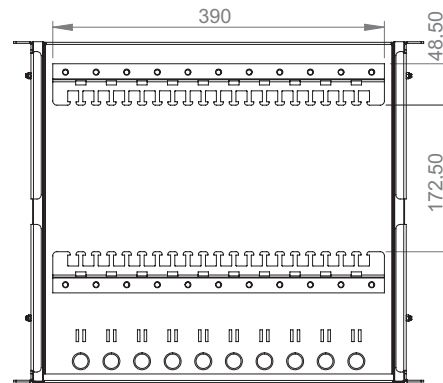


RAL 9005 Black

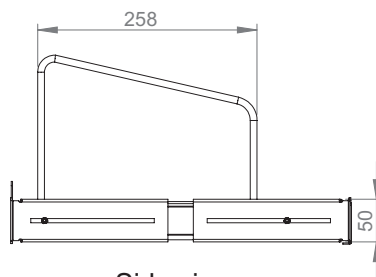
# Pull-Out CHARGING SHELF with 10 Slots



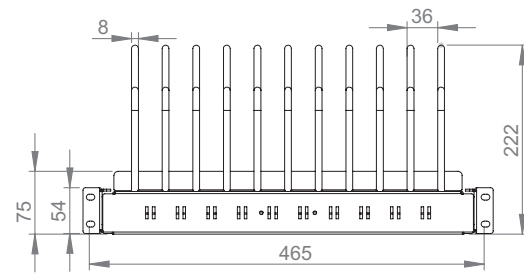
Top view



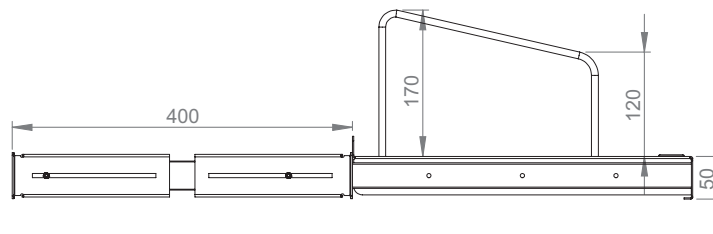
Rear view



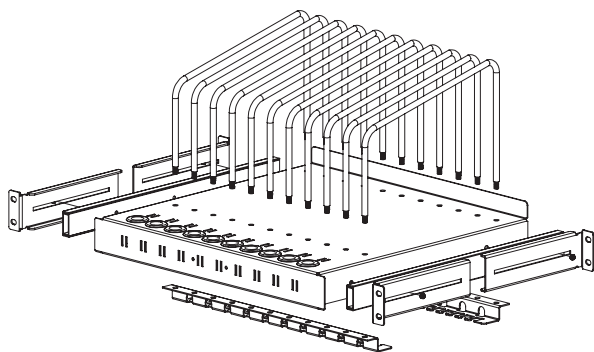
Side view



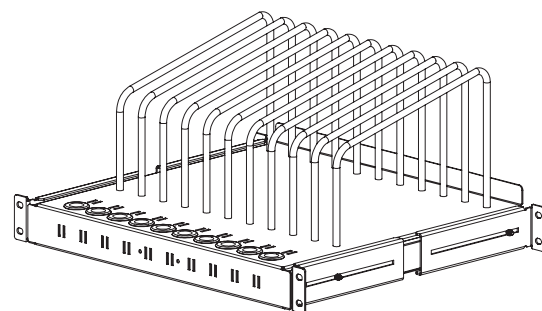
Front view



MAX. equipment mounting distance



Exploded view



Isometric view

## Pull-Out CHARGING SHELF with 10 Slots

Catalog Code	Series	Product Description	Width (mm)	Depth (mm)	Height (mm)	Slot Qty	Weight (kg)
LN-LC-RAF-1U10-LG	Laptop Tablet Cart Trolley	Pull-Out Charging Shelf RAL 7035 Light Grey	483	370	220	10	7,76
LN-LC-RAF-1U10-BL	Laptop Tablet Cart Trolley	Pull-Out Charging Shelf RAL 9005 Black	483	370	220	10	7,76



## CONTACT DETAILS

### Headquarters

**Address:**

Merve Mah. Gazi Cad. No: 17 **Phone:** +90 216 312 26 53  
Sancaktepe - İstanbul / TURKEY **Fax** : +90 216 312 09 09

### Factory

**Address:**

20. Cadde No: 14 Eskişehir **Phone:** +90 222 236 24 66 pbx  
Organize San. Bölğ. 26110 **Fax** : +90 222 236 13 53  
Eskişehir / TURKEY

[www.lande.com.tr](http://www.lande.com.tr) | [sales@lande.com.tr](mailto:sales@lande.com.tr)

